

Swivel Joint (rotating head joint) • Type DK-01

DN 8 - DN 50



Application

- for liquid or gaseous media at high temperatures and pressures
- for slow swivel and rotation movements through 360°
- fast installation with threaded connection
- for rough operating conditions
 - in hydraulic flow pipes
 - at roll stands
 - at hose drums
- for installation in flexible pipe-line systems, for conveying media from a fixed point to any required flexible point
 - filling systems
 - loading and swivel arms
 - pipe joint shears
- use at test facilities
- special designs suitable for food products

Rotating head joint

Structure

- stator (outer part) and rotor (inner part) joined by a single-row ball bearing
- for-life lubrication provided in the factory
- female thread according to ISO 7-1 (DIN 2999)

Materials

Basic unit with threaded connection	
	1.7225
	1.4571

Standard sealings

- PTFE compound

Special sealings

- additional inner sealing for heavily polluted media
- medium sealings for oxygen, steam and food products

Pressure rating

- PN 100 (1.7225)
- PN 40 (1.4571)

Surface protection

- Gas nitration
- Corrosion-protection primer

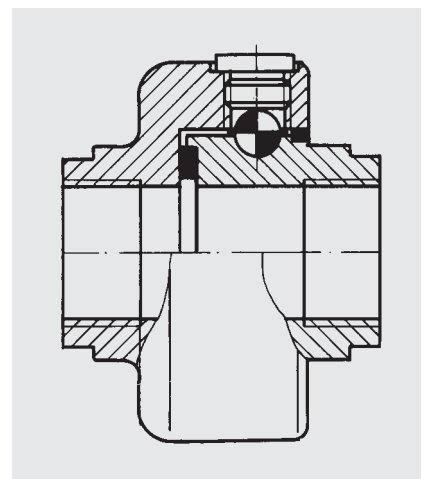
Dimensions

DN 8 to DN 50

Instructions

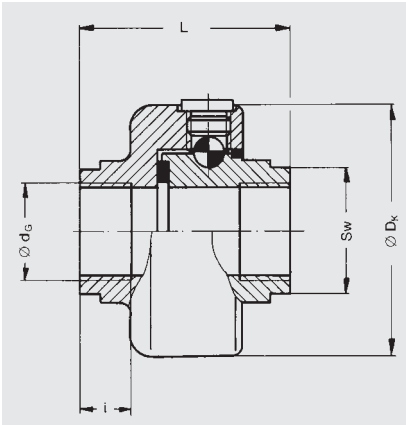
General technical instructions must be observed. Subject to technical alterations and fluctuations caused by the production process. Number of revolutions for swivel and rotation movements ≤ 10 rpm. Swivel movements in several planes see catalogue pages 6 and 7. Sets of sealings and balls available individually as spare parts.

Design



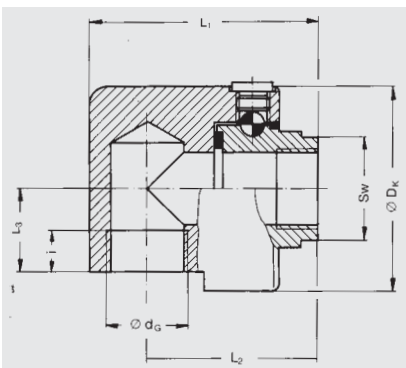
Type DK-01
with one-row ball bearing

Form 11IG / threaded connection



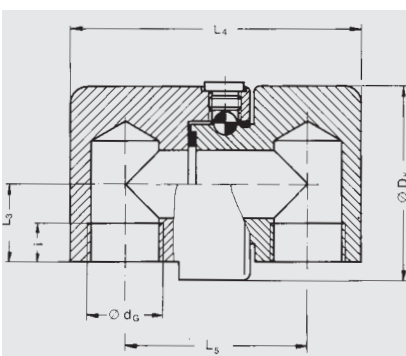
DN	ø d _G Inch	i mm	ø D _k mm	S _w mm	L mm	weight approx. kg
8	Rp 1/4"	12	72	32	78	1,2
10	Rp 3/8"	12	72	32	78	1,2
15	Rp 1/2"	14	72	32	78	1,3
20	Rp 3/4"	16	72	32	78	1,3
25	Rp 1"	18	80	41	85	1,6
32	Rp 1 1/4"	20	88	55	85	2,2
40	Rp 1 1/2"	22	96	60	90	2,2
50	Rp 2"	24	118	70	100	4,1

Form 12IG / threaded connection



DN	ø d _G Inch	i mm	ø D _k mm	S _w mm	L ₁ mm	L ₂ mm	L ₃ mm	weight approx. kg
8	Rp 1/4"	12	72	32	92	75	30	1,8
10	Rp 3/8"	12	72	32	92	75	30	1,85
15	Rp 1/2"	14	72	32	92	75	30	1,9
20	Rp 3/4"	16	72	32	92	75	30	2,0
25	Rp 1"	18	80	41	107	85	32	2,6
32	Rp 1 1/4"	20	88	55	115	90	33	3,5
40	Rp 1 1/2"	22	96	60	132	100	35	4,3
50	Rp 2"	24	118	70	150	110	42	7,4

Form 13IG / threaded connection



DN	ø d _G Inch	i mm	ø D _k mm	L ₃ mm	L ₄ mm	L ₅ mm	weight approx. kg
8	Rp 1/4"	12	72	30	110	75	2,5
10	Rp 3/8"	12	72	30	110	75	2,6
15	Rp 1/2"	14	72	30	110	75	2,7
20	Rp 3/4"	16	72	30	110	75	2,8
25	Rp 1"	18	80	32	130	85	3,8
32	Rp 1 1/4"	20	88	33	152	100	5,8
40	Rp 1 1/2"	22	96	35	175	110	6,4
50	Rp 2"	24	118	42	200	128	11,5