

Swivel Joint (rotating head joint) • Type DK-02

DN 8 - DN 50



Application

- for liquid or gaseous media at high temperatures and pressures
- suitable for loads with high bending moments
- for slow swivel and rotation movements through 360°
- fast installation with threaded connection
- for rough operating conditions
 - in hydraulic flow pipes
 - at roll stands
 - at hose drums
- for installation in flexible pipe-line systems, for conveying media from a fixed point to any required flexible point
 - filling systems
 - loading and swivel arms
 - pipe joint shears
- use at test facilities
- special designs suitable for food products



Rotating head joint

Structure

- stator (outer part) and rotor (inner part) joined by a two-row ball bearing
- for-life lubrication provided in the factory
- female thread according to ISO 7-1 (DIN 2999)

Materials

Basic unit with threaded connection	
	1.7225
	1.4571

Standard sealings

- PTFE compound

Special sealings

- additional inner sealing for heavily polluted media
- medium sealings for oxygen, steam and food products

Pressure rating

- PN 420 (1.7225)
- PN 160 (1.4571)

Surface protection

- Gas nitration
- Corrosion-protection primer

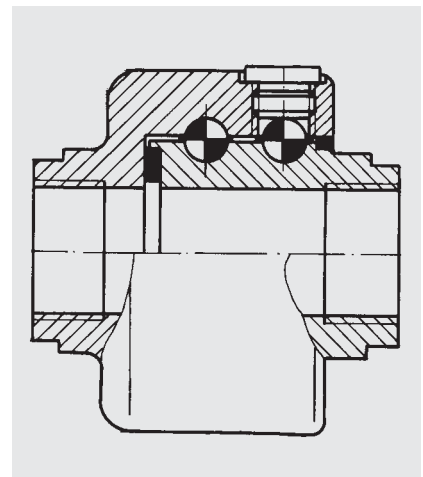
Dimensions

DN 8 to DN 50

Instructions

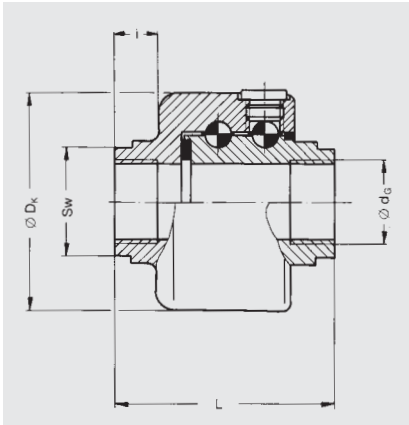
General technical instructions must be observed. Subject to technical alterations and fluctuations caused by the production process. Number of revolutions for swivel and rotation movements ≤ 10 rpm. Swivel movements in several planes see catalogue pages 6 and 7. Sets of sealings and balls available individually as spare parts.

Design



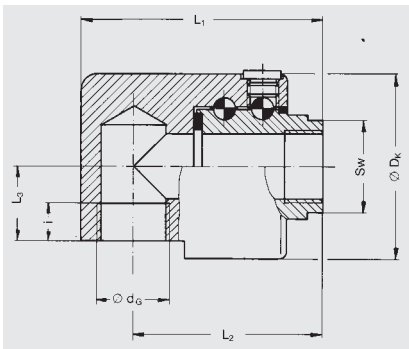
Type DK-02
with two-row ball bearing

Form 11IG / threaded connection



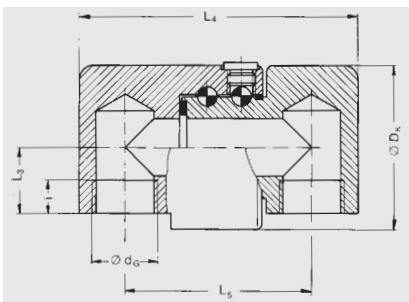
DN	$\varnothing d_G$ Inch	i mm	$\varnothing D_k$ mm	S_w mm	L mm	weight approx. kg
8	Rp 1/4"	12	82	41	110	2,7
10	Rp 3/8"	12	82	41	110	2,7
15	Rp 1/2"	14	82	41	110	2,8
20	Rp 3/4"	16	82	41	110	2,8
25	Rp 1"	18	82	41	110	2,9
32	Rp 1 1/4"	20	98	60	120	3,8
40	Rp 1 1/2"	22	98	60	120	3,9
50	Rp 2"	24	108	70	145	5,4

Form 12IG / threaded connection



DN	$\varnothing d_G$ Inch	i mm	$\varnothing D_k$ mm	S_w mm	L_1 mm	L_2 mm	L_3 mm	weight approx. kg
8	Rp 1/4"	12	82	41	132	110	35	3,7
10	Rp 3/8"	12	82	41	132	110	35	3,7
15	Rp 1/2"	14	82	41	132	110	35	3,8
20	Rp 3/4"	16	82	41	132	110	35	3,8
25	Rp 1"	18	82	41	132	110	35	3,9
32	Rp 1 1/4"	20	98	60	158	125	37	6,5
40	Rp 1 1/2"	22	98	60	158	125	37	6,6
50	Rp 2"	24	108	70	190	150	40	9,0

Form 13IG / threaded connection



DN	$\varnothing d_G$ Inch	i mm	$\varnothing D_k$ mm	L_3 mm	L_4 mm	L_5 mm	weight approx. kg
8	Rp 1/4"	12	82	35	154	110	5,0
10	Rp 3/8"	12	82	35	154	110	5,0
15	Rp 1/2"	14	82	35	154	110	5,1
20	Rp 3/4"	16	82	35	154	110	5,1
25	Rp 1"	18	82	35	154	110	5,2
32	Rp 1 1/4"	20	98	37	200	132	9,3
40	Rp 1 1/2"	22	98	37	200	132	9,5
50	Rp 2"	24	108	40	235	155	11,9