

5/2-way valve, Series RA18

► Qn = 700 l/min ► pipe connection ► compressed air connection output: G 1/8 ► Electr. connection: Plug, ISO 6952, form B ► Can be assembled into blocks ► single solenoid, double solenoid ► Service product



00108915

Version	Spool valve, zero overlap
Pilot	internal
Sealing principle	soft sealing
Blocking principle	Single base plate principle
Mounting on manifold strip	P-strip, PRS strip
Working pressure min./max.	See table below
Control pressure min./max.	See table below
Ambient temperature min./max.	+0 °C / +50 °C
Medium temperature min./max.	-10 °C / +50 °C
Medium	Compressed air
Max. particle size	5 µm
Oil content of compressed air	0 mg/m ³ - 5 mg/m ³
Connector standard	ISO 6952
Degree of protection with electrical connector/plug	See table below
Compatibility index	See table below
Duty cycle	100 %
Materials:	
Housing	Polyamide
Seals	Acrylonitrile Butadiene Rubber
Front plate	Polyamide
Threaded bushing	Brass

Technical Remarks

- The pressure dew point must be at least 15 °C under ambient and medium temperature and may not exceed 3 °C.
- The oil content of air pressure must remain constant during the life cycle.
- Use only the approved oils from Bosch Rexroth, see chapter „Technical information“.

Operating voltage			Voltage tolerance			Power consumption	Switch-on power		Holding power	
DC	AC 50 Hz	AC 60 Hz	DC	AC 50 Hz	AC 60 Hz	DC	AC 50 Hz	AC 60 Hz	AC 50 Hz	AC 60 Hz
						W	VA	VA	VA	VA
24 V	-	-	-10% / +10%	-	-	4.8	-	-	-	-
24 V	-	-	-10% / +10%	-	-	2.6	-	-	-	-
-	24 V	24 V	-	-10% / +10%	-10% / +10%	-	12	9.9	8.5	7.3
-	110 V	110 V	-	-10% / +10%	-10% / +10%	-	11	9.4	8.5	6.9
-	230 V	230 V	-	-10% / +10%	-10% / +10%	-	11	9.4	8.5	6.9

5/2-way valve, Series RA18

► Qn = 700 l/min ► pipe connection ► compressed air connection output: G 1/8 ► Electr. connection: Plug, ISO 6952, form B ► Can be assembled into blocks ► single solenoid, double solenoid ► Service product

	MO	Compressed air connection				Operating voltage			Hold- ing pow- er	Hold- ing pow- er	Switch- on power	Part No.	
		Input	Output	Exhaust	Pilot control exhaust	DC	AC 50 Hz	AC 60 Hz					AC 50 Hz
		G 1/8	G 1/8	G 1/8	M5	24 V	-	-	-	-	-	0820022102	
						24 V	-	-	-	-	-	-	0820022105
						-	24 V	24 V	8.5	7.3	12	0820022103	
						-	110 V	110 V	8.5	6.9	11	0820022104	
						-	230 V	230 V	8.5	6.9	11	0820022101	
						-	-	-	-	-	-	0820022993	
		G 1/8	G 1/8	G 1/8	M5	24 V	-	-	-	-	-	0820022126	
						24 V	-	-	-	-	-	-	0820022129
						-	24 V	24 V	8.5	7.3	12	0820022127	
						-	110 V	110 V	8.5	6.9	11	0820022128	
						-	230 V	230 V	8.5	6.9	11	0820022125	
						-	-	-	-	-	-	0820022994	
		G 1/8	G 1/8	G 1/8	M5	24 V	-	-	-	-	-	0820022602	
						24 V	-	-	-	-	-	-	0820022605
						-	24 V	24 V	8.5	7.3	12	0820022603	
						-	110 V	110 V	8.5	6.9	11	0820022604	
						-	230 V	230 V	8.5	6.9	11	0820022601	
						-	-	-	-	-	-	0820022995	
		G 1/8	G 1/8	G 1/8	M5	24 V	-	-	-	-	-	0820022002	
						24 V	-	-	-	-	-	-	0820022005
						-	24 V	24 V	8.5	7.3	12	0820022003	
						-	110 V	110 V	8.5	6.9	11	0820022004	
						-	230 V	230 V	8.5	6.9	11	0820022001	
						-	-	-	-	-	-	0820022990	
		G 1/8	G 1/8	G 1/8	M5	24 V	-	-	-	-	-	0820022026	
						24 V	-	-	-	-	-	-	0820022029
						-	24 V	24 V	8.5	7.3	12	0820022027	
						-	110 V	110 V	8.5	6.9	11	0820022028	
						-	230 V	230 V	8.5	6.9	11	0820022025	
						-	-	-	-	-	-	0820022991	
		G 1/8	G 1/8	G 1/8	M5	24 V	-	-	-	-	-	0820022502	
						24 V	-	-	-	-	-	-	0820022505
						-	24 V	24 V	8.5	7.3	12	0820022503	
						-	110 V	110 V	8.5	6.9	11	0820022504	
						-	230 V	230 V	8.5	6.9	11	0820022501	
						-	-	-	-	-	-	0820022992	

5/2-way valve, Series RA18

► Qn = 700 l/min ► pipe connection ► compressed air connection output: G 1/8 ► Electr. connection: Plug, ISO 6952, form B ► Can be assembled into blocks ► single solenoid, double solenoid ► Service product

Part No.	Switch-on power	Flow rate value	Nominal resistance	Working pressure min./max.	Control pressure min./max.	Compatibility index	Protection class	Weight	Note
	AC 60 Hz	Qn							
		[l/min]		[bar]	[bar]			[kg]	
0820022102	-	700	121	2 / 10	2 / 10	14	IP 65	0.26	2)
0820022105	-		223	2 / 7	2 / 7	13	IP 65	0.26	2); 3)
0820022103	9.9		26	2 / 10	2 / 10	14	IP 65	0.26	2)
0820022104	9.4		615	2 / 10	2 / 10	14	IP 65	0.26	2)
0820022101	9.4		2450	2 / 10	2 / 10	14	IP 65	0.26	2)
0820022993	-		-	-	2 / 10	2 / 10	14	-	0.19
0820022126	-	700	121	2.5 / 10	2.5 / 10	14	IP 65	0.26	2)
0820022129	-		223	2.5 / 7	2.5 / 7	13	IP 65	0.26	2); 3)
0820022127	9.9		26	2.5 / 10	2.5 / 10	14	IP 65	0.26	2)
0820022128	9.4		615	2.5 / 10	2.5 / 10	14	IP 65	0.26	2)
0820022125	9.4		2450	2.5 / 10	2.5 / 10	14	IP 65	0.26	2)
0820022994	-		-	-	2.5 / 10	2.5 / 10	14	-	0.19
0820022602	-	700	121	1 / 10	1 / 10	14	IP 65	0.35	2)
0820022605	-		223	2 / 7	2 / 7	13	IP 65	0.35	2); 3)
0820022603	9.9		26	1 / 10	1 / 10	14	IP 65	0.35	2)
0820022604	9.4		615	1 / 10	1 / 10	14	IP 65	0.35	2)
0820022601	9.4		2450	1 / 10	1 / 10	14	IP 65	0.35	2)
0820022995	-		-	-	1 / 10	1 / 10	14	-	0.23
0820022002	-	700	121	2 / 10	2 / 10	14	IP 65	0.26	-
0820022005	-		223	2 / 7	2 / 7	13	IP 65	0.26	3)
0820022003	9.9		26	2 / 10	2 / 10	14	IP 65	0.26	-
0820022004	9.4		615	2 / 10	2 / 10	14	IP 65	0.26	-
0820022001	9.4		2450	2 / 10	2 / 10	14	IP 65	0.26	-
0820022990	-		-	-	2 / 10	2 / 10	14	-	0.19
0820022026	-	700	121	2.5 / 10	2.5 / 10	14	IP 65	0.26	-
0820022029	-		223	2.5 / 7	2.5 / 7	13	IP 65	0.26	3)
0820022027	9.9		26	2.5 / 10	2.5 / 10	14	IP 65	0.26	-
0820022028	9.4		615	2.5 / 10	2.5 / 10	14	IP 65	0.26	-
0820022025	9.4		2450	2.5 / 10	2.5 / 10	14	IP 65	0.26	-
0820022991	-		-	-	2.5 / 10	2.5 / 10	14	-	0.19
0820022502	-	700	121	1 / 10	1 / 10	14	IP 65	0.35	-
0820022505	-		223	2 / 7	2 / 7	13	IP 65	0.35	3)
0820022503	9.9		26	1 / 10	1 / 10	14	IP 65	0.35	-
0820022504	9.4		615	1 / 10	1 / 10	14	IP 65	0.35	-
0820022501	9.4		2450	1 / 10	1 / 10	14	IP 65	0.35	-
0820022992	-		-	-	1 / 10	1 / 10	14	-	0.23

Nominal flow Qn at 6 bar and $\Delta p = 1$ bar

MO = Manual override

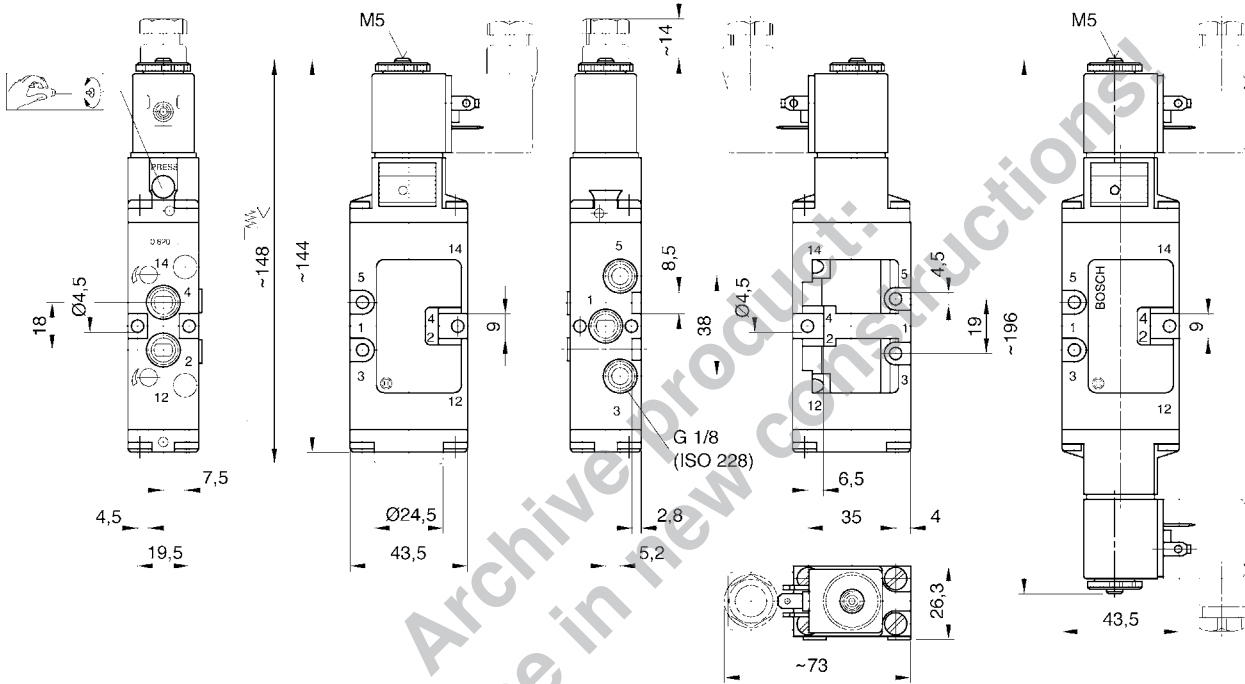
1) Basic valve without coil

2) with throttle

3) Low power consumption

5/2-way valve, Series RA18

► $Q_n = 700 \text{ l/min}$ ► pipe connection ► compressed air connection output: G 1/8 ► Electr. connection: Plug, ISO 6952, form B ► Can be assembled into blocks ► single solenoid, double solenoid ► Service product

Dimensions

00108917