

MOUNTING FOR REED SWITCHES

01/04-13 vers.1

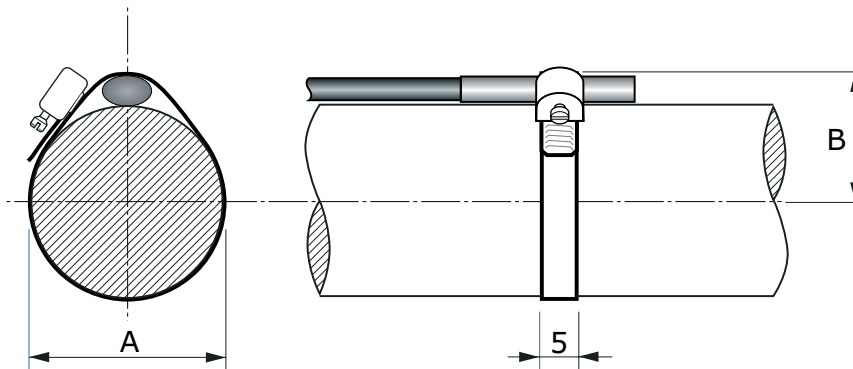


ART. NO.

Ø12	U1900312
Ø16	U1900313
Ø20	U1900314
Ø25	U1900315
Ø32	U1900316
Ø40	U1900317
Ø50	U1900318
Ø63	U1900319
Ø80	U1900320
Ø100	U1900321
Ø125	U1900322

Mounting for reed switches, stainless steel, AISI 304 for Ø12 – Ø125 cylinders to UNIC® Standard

MEASUREMENT FORM (MM)



Cyl. Ø	A	B
12	15	11
16	19	13
20	23	15
25	29	18
32	36	21
40	44	25
50	55	30
63	68	37
80	86	47
100	106	57
125	131	70