

COUNTER-SUPPORT 90° - STAINLESS STEEL

01/04-13 vers.1

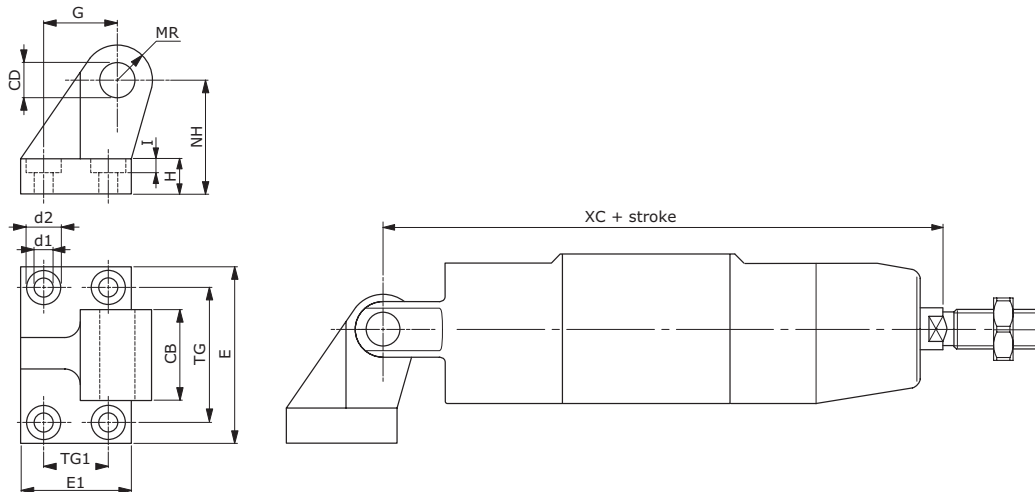


ART. NO.

Ø32	U1903213E
Ø40	U1904013E
Ø50	U1905013E
Ø63	U1906313E
Ø80	U1908013E
Ø100	U1910013E

Counter-support, lug-type, 90°C angle mounting, stainless steel, AISI 304 for Ø32 – Ø125 cylinders to DIN/ISO 15552 (VDMA 24562) incl. fastening screws. Matt surface

MEASUREMENT FORM (MM)



Cyl. Ø	CB*	CD*	d1*	d2*	E*	E1*	G*	I	H*	MR*	NH*	TG*	TG1*	XC*	kg
32	26	Ø10	Ø6,6	Ø11	51	31	21	4,0	8	10,0	32	38	18	142	0,17
40	28	Ø12	Ø6,6	Ø11	54	35	24	4,5	10	11,0	36	41	22	160	0,25
50	32	Ø12	Ø9,0	Ø15	65	45	33	4,0	12	13,0	45	50	30	170	0,45
63	40	Ø16	Ø9,0	Ø15	67	50	37	4,5	12	15,0	50	52	35	190	0,60
80	50	Ø16	Ø11,0	Ø18	86	60	47	6,0	14	15,0	63	66	40	210	1,00
100	60	Ø20	Ø11,0	Ø18	96	70	55	6,0	15	18,0	71	76	50	230	1,60

* = DIN/ISO norm. measurements