

CLEVIS - STAINLESS STEEL

01/04-13 vers.1

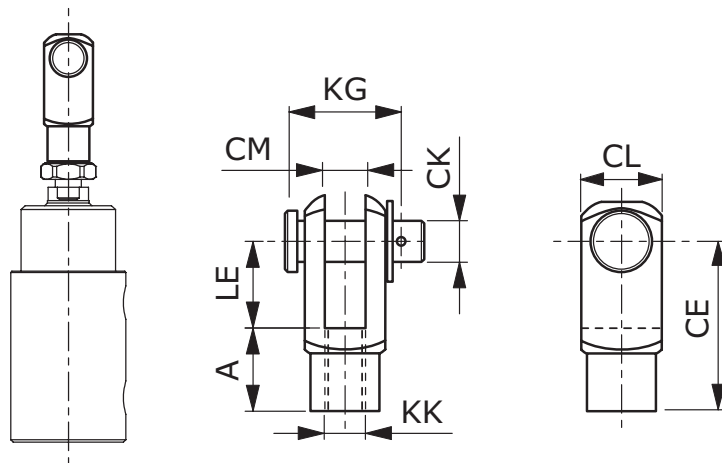


ART. NO

Ø12/Ø16	U1901423
Ø20	U1902023
Ø25/Ø32	U1903023
Ø40	U1904023
Ø50/Ø63	U1905923
Ø80/Ø100	U1909023
Ø125	U1912523

Clevis, Stainless steel, AISI 304 for Ø16 – Ø125 cylinders to DIN/ISO 8140.

MEASUREMENT FORM (MM)



Cyl.Ø	A*	CE*	CK*	CL*	CM*	KG	KK*	LE*	kg
12/16	12	24	6	12	6	16,0	M6	12	0,025
20	16	32	8	16	8	22,0	M8	16	0,049
25/32	20	40	10	20	10	26,0	M10x1,25	20	0,095
40	24	48	12	24	12	31,5	M12x1,25	24	0,160
50/63	32	64	16	32	16	40,5	M16x1,50	32	0,355
80/100	40	80	20	40	20	50,0	M20x1,50	40	0,726
125	56	110	30	55	30	63,0	M27x2,00	54	1,602

* = DIN/ISO norm. measurements