

Electrical connection technologies ▶ Electrical connectors

Electrical connector, Series CN1

▶ 10 mm ▶ ISO 6952



00110264_b

Ambient temperature min./max.	-25°C / +50°C
Protection class	IP65
Cable fitting	M16x1,5
Mounting screw tightening torque	0.4 Nm
Materials:	
Housing	Polyamide

Technical Remarks

- The specified protection class is only valid in assembled and tested state.

	Operational voltage		Max. current [A]	Contact assignment	Cable exit	Protective circuit	suitable cable-Ø min./max [mm]	Part No.
	AC	DC						
	[V]	[V]						
	-	300	10	2+E	angled 90°	-	5 / 8	1834484096
	24	24	-	2+E	angled 90°	Z-diode	6 / 8	1834484104
	110 230	-	-	2+E	angled 90°	Varistor	6 / 8	1834484105 1834484106

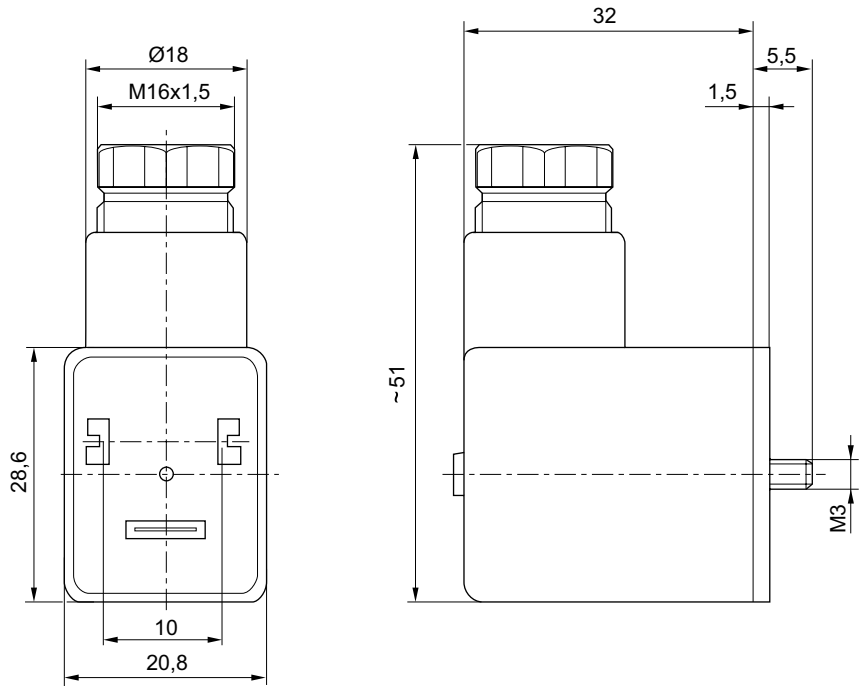
Part No.	number of plug options 1	Status display	LED status display	Housing color	Weight	Fig.	Note
					[kg]		
1834484096	2 positions each 180°	-	-	Black	0.02	Fig. 1	1); 3)
1834484104	2 positions each 180°	1 LED	Yellow	Transparent	0.02	Fig. 2	1); 4)
1834484105 1834484106	2 positions each 180°	2 LED	RedRed	Transparent	0.02	Fig. 2	1); 4) 2); 4)

- 1) Profile seal
- 2) Flat gasket
- 3) Seal: caoutchouc/butadiene caoutchouc
- 4) Seal: Silicone caoutchouc

Electrical connector, Series CN1

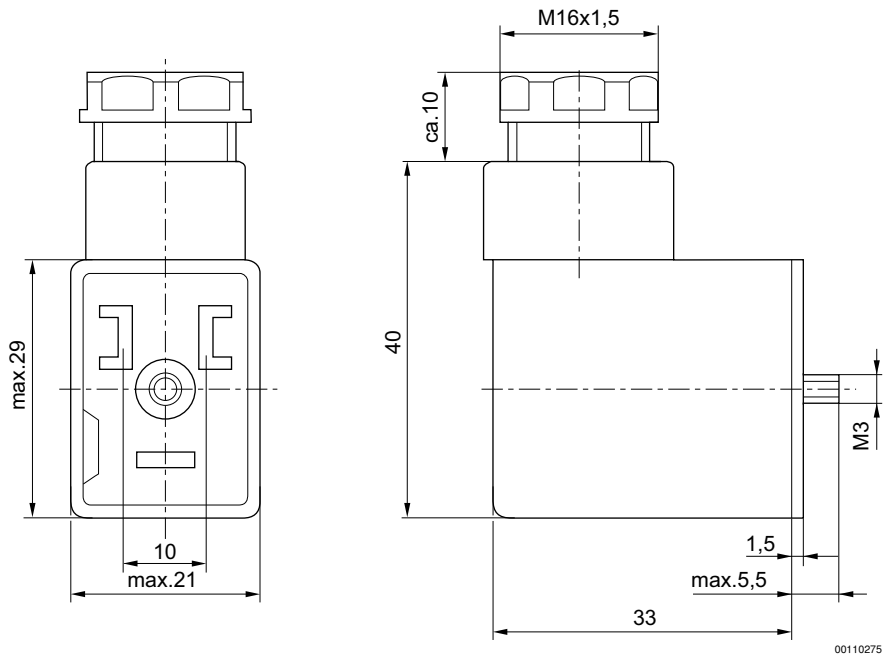
▶ 10 mm ▶ ISO 6952

Fig. 1



00110261_c

Fig. 2



00110275