

## Ø20 - Ø40 - RODLESS CYLINDER

Type 4242 - FESTO compatible

01/07-19 Vers. 1



### ART. NO.

U020 0000 4242  
U025 0000 4242  
U032 0000 4242  
U040 0000 4242

### Rodless cylinder (Ø20 - Ø40):

Cylinder 4242 is a standard UNIC Stainless Steel Cylinder® without piston rod and can replace FESTO's DGO. Cylinder 4242 is equipped with an adjustable end stroke cushioning and fitted with nitrile rubber (NBR) / polyurethane (PU) packings.

Max pressure: 10 bar.

Temperature: -20°C til +80°C

Standard Stroke: 10-2000 mm.

### MATERIAL

Housing: POM-C FG (Food approved)  
PTFE (Heat-resistant version)  
Cylinder pipe and end caps: AISI 304 / (WST. 1.4301)

### CHEMICAL RESISTANCE

The cylinder is delivered as chemical-resistant.

### ASSEMBLY

All cylinders are assembled by thread and are therefore easy to service.

### HEAT-RESISTANT +150°C

\* On request.

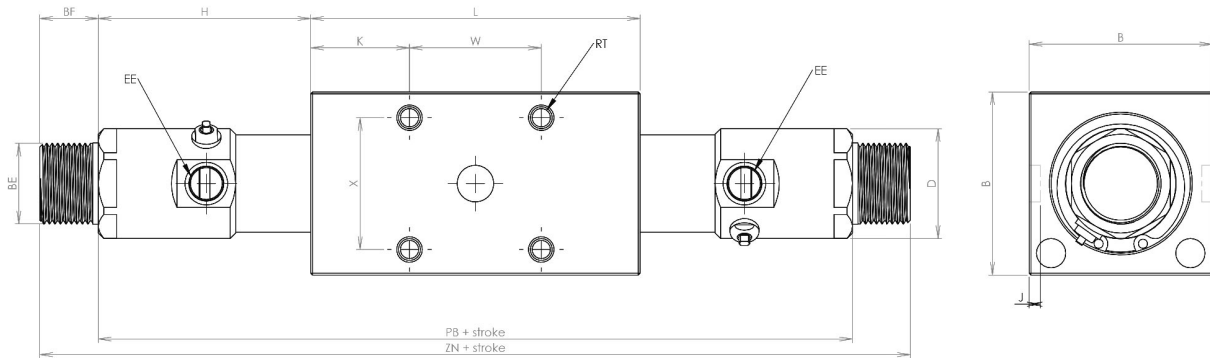
### ORDER SAMPLE

Order sample for heat-resistant cylinder.

**Heat-resistant** cylinder: U025 0050 4242H (\* On request)

**MEASUREMENT FORM (MM)**

Type 4242



Cyl.Ø	EE	B	BF	D	H	K	L	RT	BE	PB	W	X	ZN
20	1/8"	42	16	27	47,5	29	90	M5	M22x1,5	185	32	32	217
25	1/8"	50	16	30	58	27	90	M6	M22x1,5	206	36	36	238
32	1/8"	60	16	33,6	64	31	110	M6	M30x1,5	238	48	48	270
40	1/4"	74	16	46	82,5	40	130	M8	M38x1,5	295	50	56	327

**THEORETICAL CYLINDER FORCES**

Cyl. Ø	Piston area cm <sup>2</sup>	IN NEWTON								
		2 bar	3 bar	4 bar	5 bar	6 bar	7 bar	8 bar	9 bar	10 bar
20	3,14	58	82	109	136	164	205	218	246	273
25	4,90	88	129	172	216	259	333	345	388	421
32	8,04	156	212	282	352	422	493	563	634	704
40	12,5	245	333	444	554	655	776	887	998	1109

**LOAD AND TORQUE**

Cyl. Ø	Horizontal load W (kg)	Safe moment Mp (kgf · m)
20	4,7	2,45
25	6,8	3,92
32	9,7	8,83
40	15,8	13,7

