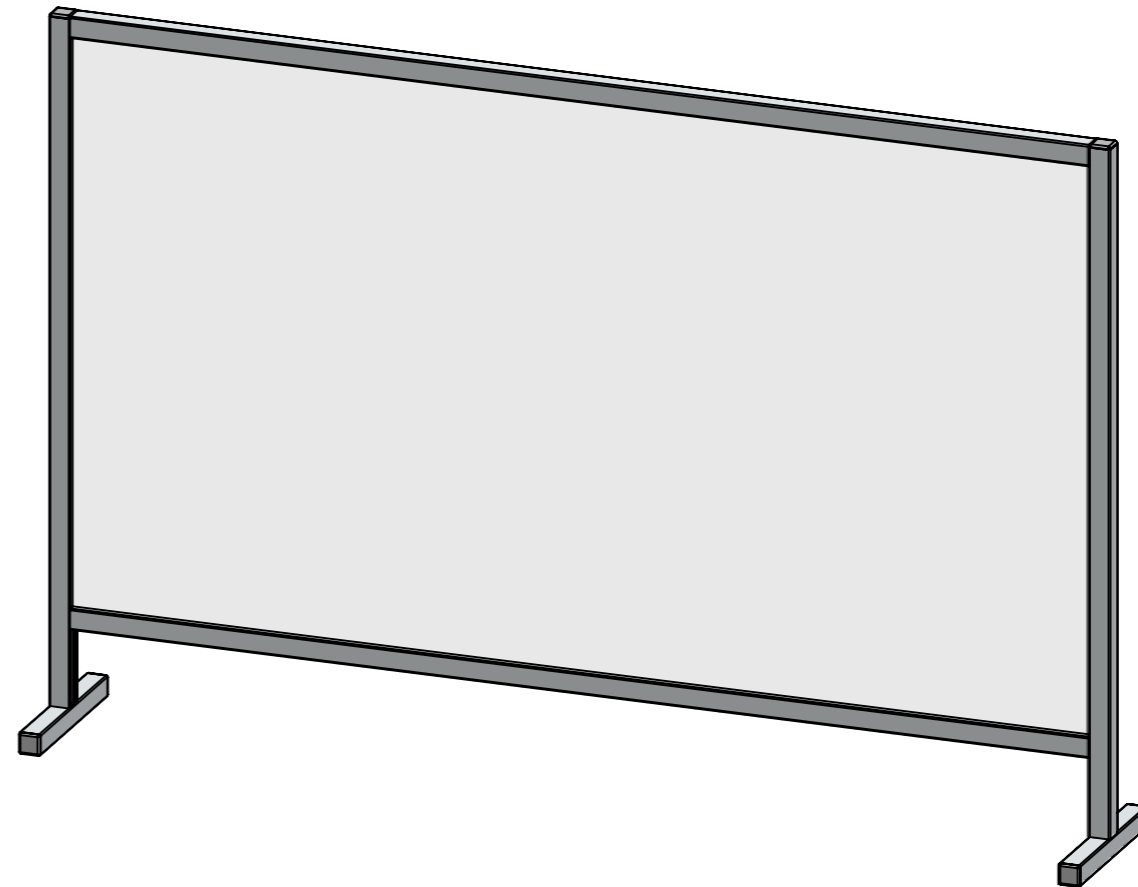
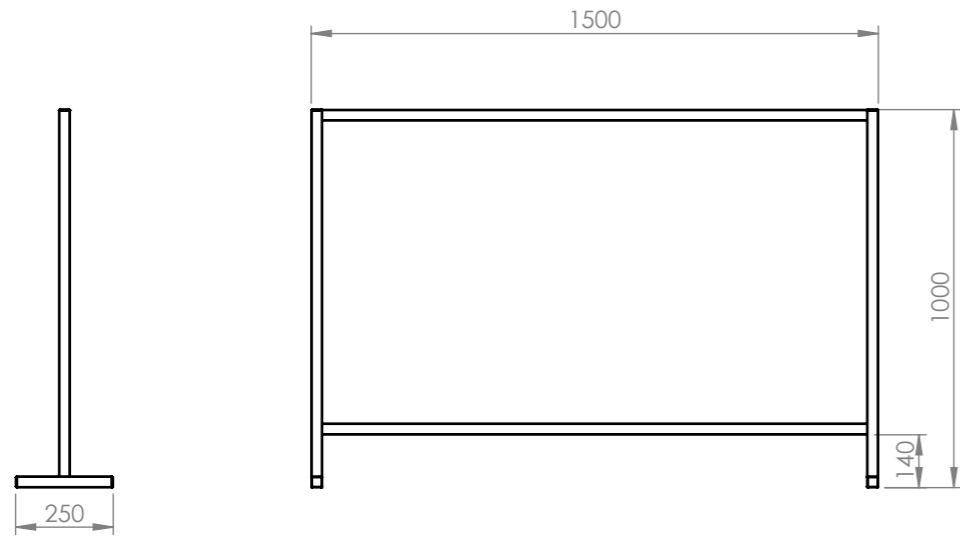


THE INFORMATION CONTAINED IN THIS DRAWING IS THE SOLE PROPERTY OF HNC Group A/S. ANY REPRODUCTION IN PART OR WHOLE WITHOUT THE WRITTEN PERMISSION OF HNC Group A/S IS PROHIBITED



Correction:

No.	The correction	Date
-	-	-
-	-	-

Customer approval: _____

HNCGROUP

Borgergade 17
4241 Vemmelev
Delivery:
Borgergade 17
4241 Vemmelev
T.: +45 70 13 23 00
F.: +45 70 13 23 01
www.hncgroup.dk
sales@hncgroup.dk
CVR nr.:25 48 60 64

DRAWN: RP DATE: 28-04-2020

CHECKED DATE: 04-05-2020

SCALE: 1:20 Sheetsize: A3

PART DESCRIPTION

Afskærmning på bord. 1500x1000mm

PART NR:

HNA 0118

REV NR:

00

UNLESS OTHERWISE SPECIFIED DIAMENTIONS ARE IN MM.

DO NOT SCALE DRAWING

DO NOT MANUALLY UPDATE

FILE NAME & ADDRESS
U:\HNA\HNA-SAMLINGER\HNA 0118