

Cylinder Accessories ▶ Piston rod mountings, series CM2

Rod clevis, Series AP2

▶ galvanized steel



00105171

Fig. 1

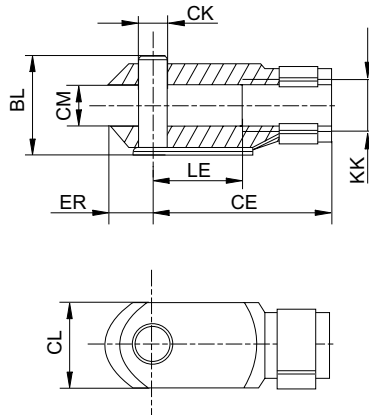
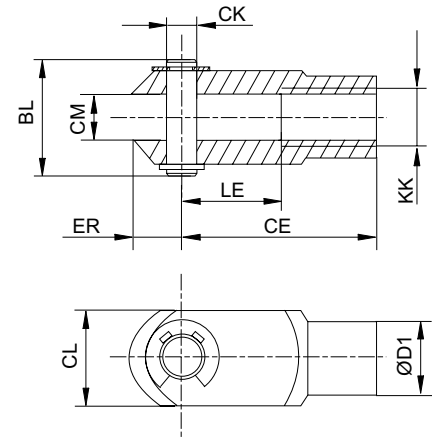


Fig. 2



00126410

Part No.	KK	BL	CE	ØCK e11	CL	CM	ØD1	ER	LE	Material
1822122028	M4	11	16	4	8	4	8	5	8	Steel
1822122008	M5	13.5	20	5	10	5	9	6	10	Steel
1822122009	M6	16	24	6	12	6	10	7	12	Steel
1822122010	M8	21,5	32	8	16	8	14	10	16	Steel
8958000122	M10	26	40	10	20	10	18	12	20	Steel
8958000132	M12	31	48	12	24	12	20	14	24	Steel
1822122024	M10x1,25	26	40	10	20	10	18	12	20	Steel
1822122025	M12x1,25	31	48	12	24	12	20	14	24	Steel
1822122005	M16x1,5	39	64	16	32	16	26	19	32	Steel
1822122004	M20x1,5	50	80	20	40	20	34	20	40	Steel
1827001493	M27x2	68	110	30	55	30	48	38	54	Steel
1827001471	M36x2	80	144	35	70	35	60	57	72	Steel
1827001472	M42x2	98	168	40	85	40	70	64	84	Steel
8958019332	M48x2	122	192	50	96	50	82	73	96	Steel

Part No.	Surface	Weight [kg]	Fig.							
1822122028	galvanized	0.01	Fig. 1							
1822122008	galvanized	0.01	Fig. 1							
1822122009	galvanized	0.02	Fig. 1							
1822122010	galvanized	0.05	Fig. 1							
8958000122	galvanized	0.1	Fig. 1							
8958000132	galvanized	0.16	Fig. 1							
1822122024	galvanized	0.1	Fig. 1							
1822122025	galvanized	0.16	Fig. 1							
1822122005	galvanized	0.4	Fig. 1							
1822122004	galvanized	0.7	Fig. 1							
1827001493	galvanized	2	Fig. 2							
1827001471	galvanized	3.5	Fig. 2							
1827001472	galvanized	6.6	Fig. 2							
8958019332	galvanized	0.01	Fig. 1							

Part numbers marked in bold are available from the central warehouse in Germany, see the shopping basket for more detailed information

Pneumatics catalog, online PDF, as of 2017-01-03, ©AVENTICS S.à r.l., subject to change