

Electrical connection technologies ▶ Electrical connectors

Electrical connectors, series CN1

Brochure



Electrical connection technologies ▶ Electrical connectors

Electrical connectors, series CN1
Electrical connector Form A

 Electrical connector, Series CN1
 ▶ 18 mm ▶ ISO 4400 ▶ form A

3

electrical connector form B

 Electrical connector, Series CN1
 ▶ 10 mm ▶ ISO 6952

5

electrical connector form B, industry

 Electrical connector, Series CN1
 ▶ 11 mm ▶ Industry standard

7

electrical connector form C

 Electrical connector, Series CN1
 ▶ 8 mm ▶ ISO 15217 ▶ form C

9

electrical connector form C, industry

 Electrical connector, Series CN1
 ▶ 9,4 mm ▶ Industry standard

12

Electrical connection technologies ▶ Electrical connectors

Electrical connector, Series CN1

▶ 18 mm ▶ ISO 4400 ▶ form A

Ambient temperature min./max. -40°C / +90°C
 Protection class IP65
 Mounting screw tightening torque 0.4 Nm



00110264_a

Technical Remarks

- The specified protection class is only valid in assembled and tested state.

	Cable fitting	Operational voltage		Max. current [A]	Contact assignment	Cable exit	Protective circuit	Part No.
		AC [V]	DC [V]					
	M16x1,5	-	300	10	2+E	angled 90°	-	1834484048
	M16x1,5	-	300	10	3+E	angled 90°	-	1834484059
	M16x1,5	24	24	-	2+E	angled 90°	Z-diode	1834484101
	M16x1,5	110	110	-	2+E	angled 90°	Varistor	1834484102
	M16x1,5	230	230					1834484103
	M20x1,5	230	-					8941016112
	M20x1,5	-	24	8	3+E	angled 90°	-	8941012462

Part No.	suitable cable-Ø min./max	number of plug options 1	Status display	LED status display	Housing color	Weight	Note
	[mm]					[kg]	
1834484048	6 / 8	4 positions each 90°	-	-	Black	0.03	2); 5)
1834484059	6 / 8	4 positions each 90°	-	-	Black	0.03	2); 5)
1834484101	6 / 8	4 positions each 90°	1 LED	Yellow	Transparent	0.03	3); 6)
1834484102	6 / 8	4 positions each 90°	2 LED	Red	Transparent	0.03	2); 5); 5)
1834484103	6 / 8		2 LED	Red		0.03	2); 6)
8941016112	8 / 10		1 LED	Green		0.025	2); 4); 4); 5)
8941012462	4.5 / 11	1 position	2 LED	green/red	Transparent	0.03	1); 2); 4); 5)

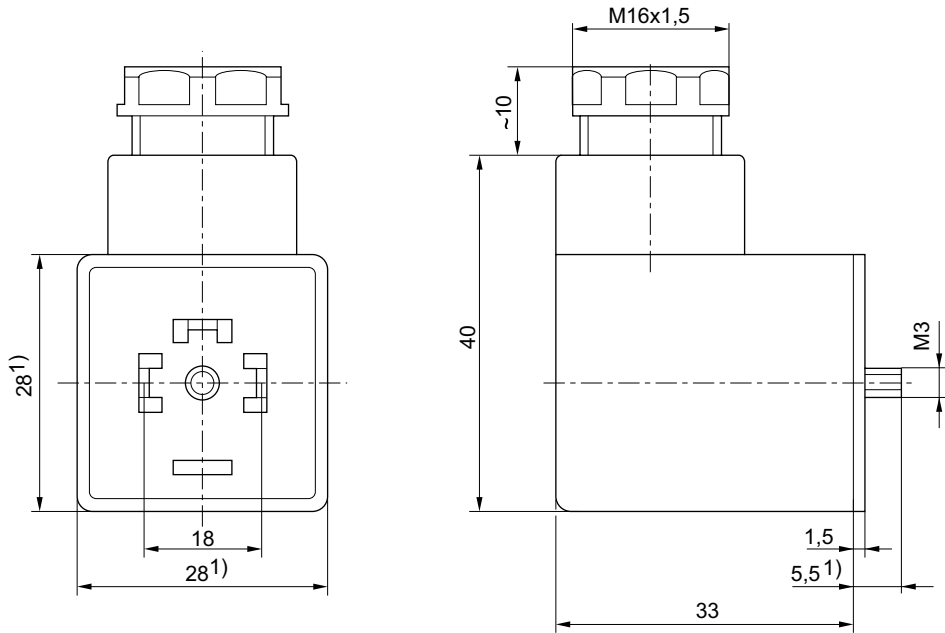
- 1) electrical connector with status display (2 LED) for pressure sensor
- 2) Profile seal
- 3) Flat gasket
- 4) Housing: Polyamide
- 5) Seal: caoutchouc/butadiene caoutchouc
- 6) Seal: Silicone caoutchouc

Part numbers marked in bold are available from the central warehouse in Germany, see the shopping basket for more detailed information

Pneumatics catalog, online PDF, as of 2016-11-02, ©AVENTICS S.à r.l., subject to change

Electrical connector, Series CN1

▶ 18 mm ▶ ISO 4400 ▶ form A

Dimensions


1) Max.

Electrical connection technologies ▶ Electrical connectors

Electrical connector, Series CN1

▶ 10 mm ▶ ISO 6952



00110264_b

Ambient temperature min./max.	-25°C / +50°C
Protection class	IP65
Cable fitting	M16x1,5
Mounting screw tightening torque	0.4 Nm
Materials:	
Housing	Polyamide

Technical Remarks

- The specified protection class is only valid in assembled and tested state.

	Operational voltage		Max. current [A]	Contact assignment	Cable exit	Protective circuit	suitable cable-Ø min./max [mm]	Part No.
	AC	DC						
	[V]	[V]						
	-	300	10	2+E	angled 90°	-	5 / 8	1834484096
	24	24	-	2+E	angled 90°	Z-diode	6 / 8	1834484104
	110 230	-	-	2+E	angled 90°	Varistor	6 / 8	1834484105 1834484106

Part No.	number of plug options 1	Status display	LED status display	Housing color	Weight	Fig.	Note
					[kg]		
1834484096	2 positions each 180°	-	-	Black	0.02	Fig. 1	1); 3)
1834484104	2 positions each 180°	1 LED	Yellow	Transparent	0.02	Fig. 2	1); 4)
1834484105 1834484106	2 positions each 180°	2 LED	RedRed	Transparent	0.02	Fig. 2	1); 4) 2); 4)

- 1) Profile seal
- 2) Flat gasket
- 3) Seal: caoutchouc/butadiene caoutchouc
- 4) Seal: Silicone caoutchouc

Electrical connector, Series CN1

▶ 10 mm ▶ ISO 6952

Fig. 1

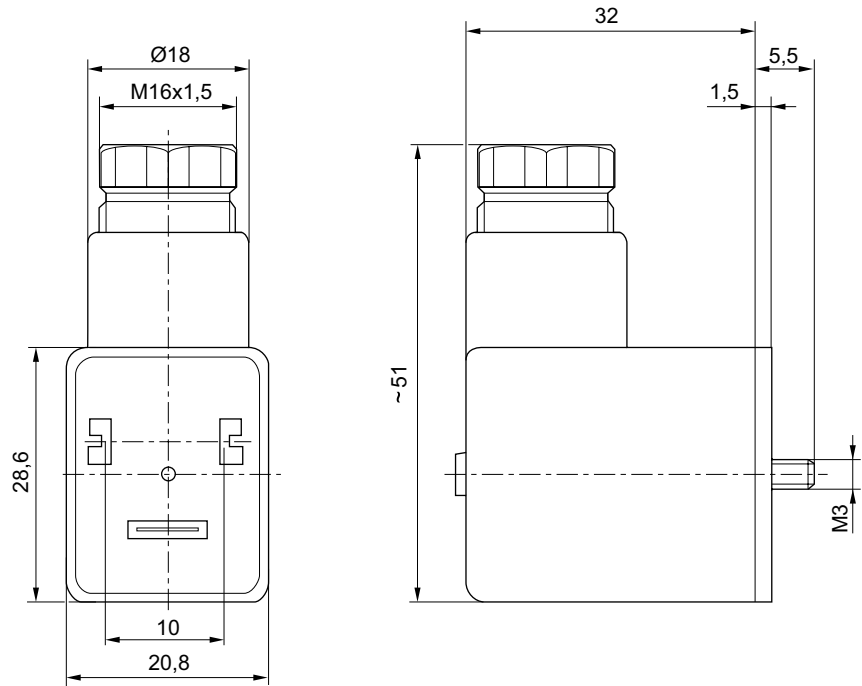
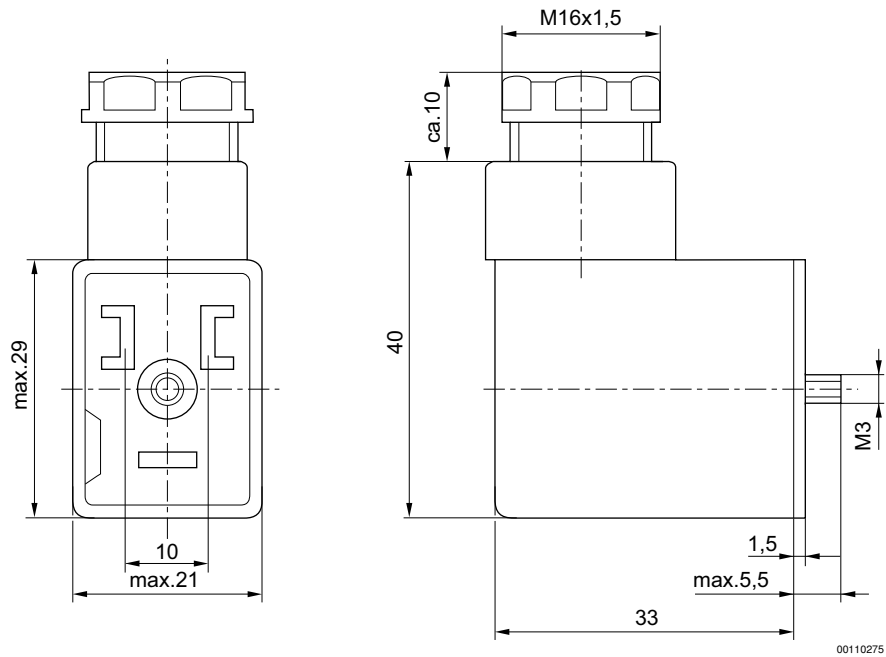


Fig. 2



Electrical connection technologies ▶ Electrical connectors

Electrical connector, Series CN1

▶ 11 mm ▶ Industry standard



00110264_c

Ambient temperature min./max.	-25°C / +50°C
Protection class	IP65
Cable fitting	M16x1,5
Mounting screw tightening torque	0.4 Nm
Materials:	
Housing	Polyamide

Technical Remarks

- For security reasons, the electrical connector must be plugged properly and centrally.
- The specified protection class is only valid in assembled and tested state.

	Operational voltage		Max. current	Contact assignment	Cable exit	Protective circuit	suitable cable-Ø min./max	Part No.
	AC	DC						
	[V]	[V]						
	-	300	10	2+E	angled 90°	-	4 / 8	1834484051
	24	24	-	2+E	angled 90°	Z-diode	6 / 8	1834484107
	110 230	-	-	2+E	angled 90°	Varistor	6 / 8 4 / 8	1834484108 1834484109

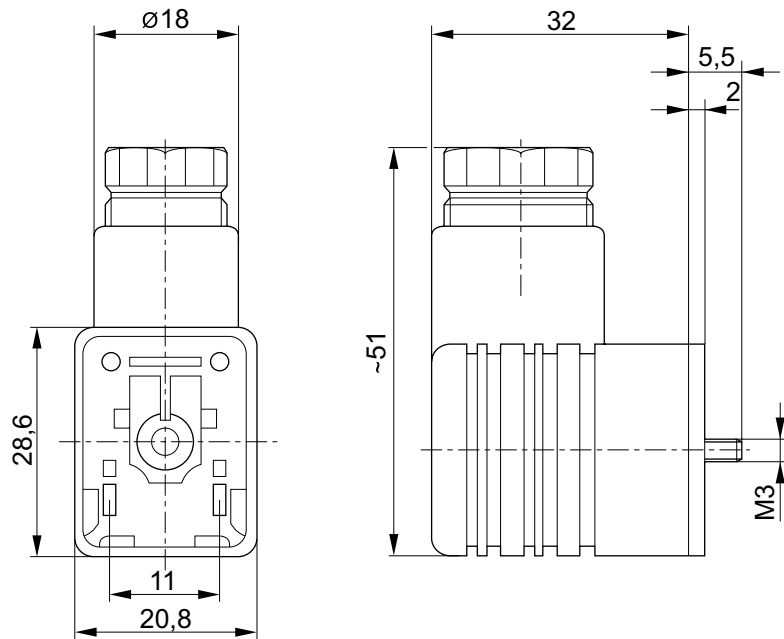
Part No.	number of plug options 1	Status display	LED status display	Housing color	Weight	Fig.	Note
					[kg]		
1834484051	2 positions each 180°	-	-	Black	0.02	Fig. 1	1); 3)
1834484107	2 positions each 180°	1 LED	Yellow	Transparent	0.02	Fig. 2	2); 4)
1834484108 1834484109	2 positions each 180°	1 LED	Red	Transparent	0.02	Fig. 2	1); 4) 2); 4)

- 1) Profile seal
- 2) Flat gasket
- 3) Seal: caoutchouc/butadiene caoutchouc
- 4) Seal: Silicone caoutchouc

Electrical connector, Series CN1

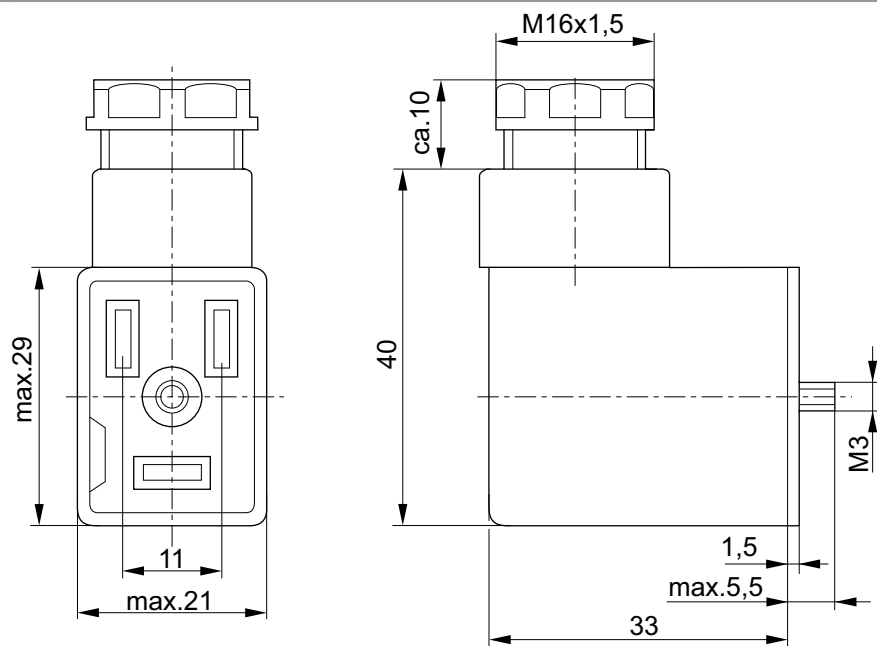
▶ 11 mm ▶ Industry standard

Fig. 1



D440_037_b

Fig. 2



00110276

Electrical connection technologies ▶ Electrical connectors

Electrical connector, Series CN1

▶ 8 mm ▶ ISO 15217 ▶ form C



P894_220

Ambient temperature min./max.	-40°C / +90°C
Protection class	IP65
Mounting screw tightening torque	0.4 Nm
Materials:	
Housing	Polyamide

Technical Remarks

- The specified protection class is only valid in assembled and tested state.

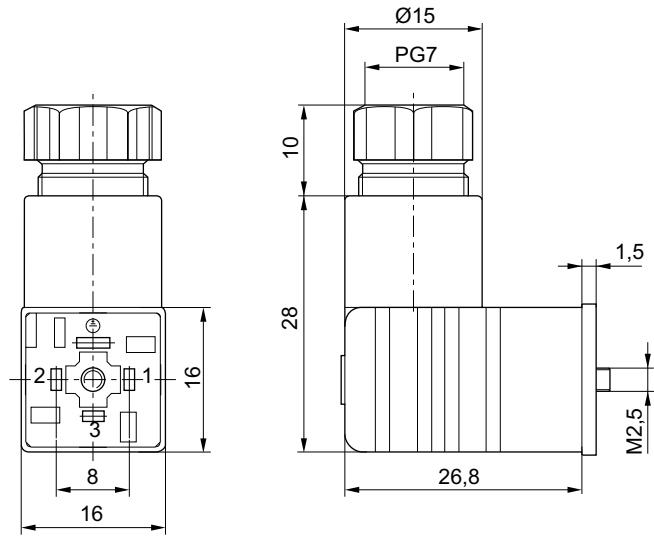
	Cable fitting	Operational voltage		Max. current [A]	Contact assignment	Cable exit	Protective circuit	Part No.
		AC [V]	DC [V]					
	M12x1,5 PG 7	250	300	6	2+E	angled 90°	-	1834484187 8941012202
	M12x1,5	24	24	-	2+E	angled 90°	Z-diode	4402050330

Part No.	suitable cable-Ø min./max [mm]	number of plug options 1	Status display	LED status display	Housing color	Weight [kg]	Fig.	Note
1834484187 8941012202	4 / 6	4 positions each 90°	-	-	Black	0.012	Fig. 1 Fig. 2	1); 2) 1)
4402050330	-	4 positions each 90°	1 LED	Green	Transparent	0.014	Fig. 3	-

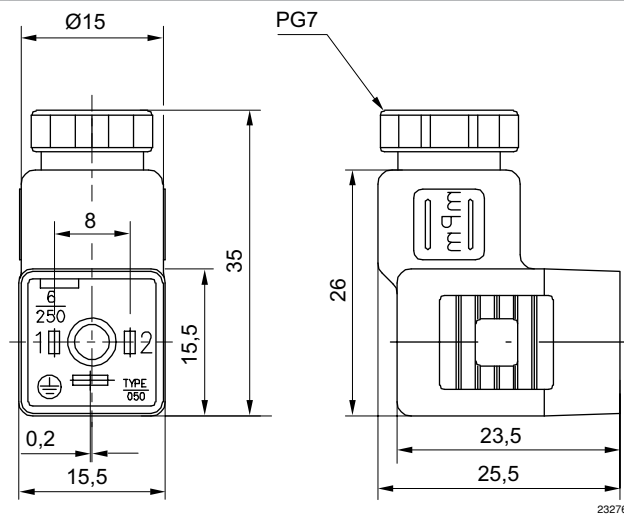
- 1) Profile seal
2) Seal: caoutchouc/butadiene caoutchouc

Electrical connector, Series CN1

▶ 8 mm ▶ ISO 15217 ▶ form C

Fig. 1


00110255

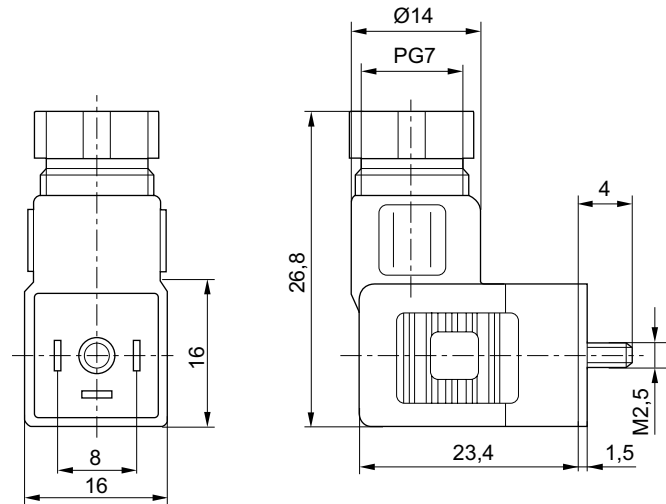
Fig. 2


23276

Electrical connector, Series CN1

▶ 8 mm ▶ ISO 15217 ▶ form C

Fig. 3



00110259_m

Electrical connector, Series CN1

▶ 9,4 mm ▶ Industry standard



4400-141

Ambient temperature min./max.	-20 °C / +80 °C
Protection class	IP65
Mounting screw tightening torque	0.4 Nm

Technical Remarks

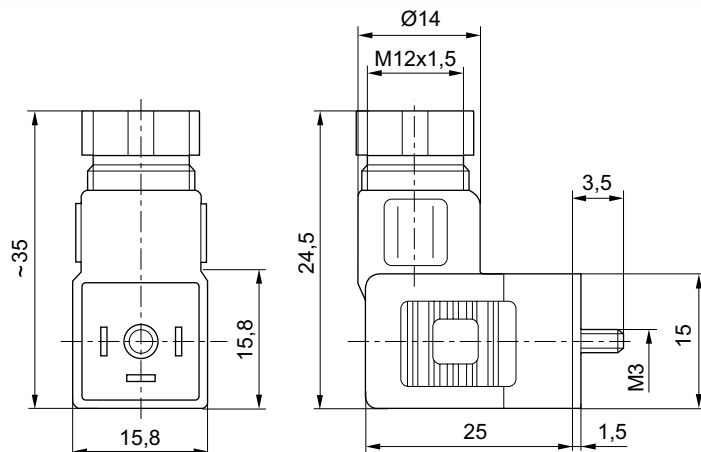
- The specified protection class is only valid in assembled and tested state.

	Cable fitting	Operational voltage		Contact assignment	Cable exit	Protective circuit	Part No.
		AC [V]	DC [V]				
	M12x1,5	-	110	2+E	-	-	1834484050
	M16x1,5	24	24	2+E	angled 90°	Z-diode	4402030330

Part No.	number of plug options 1	Status display	LED status display	Housing color	Weight [kg]	Fig.	Note
1834484050	2 positions each 180°	-	-	Black	0.12	Fig. 1	1); 2)
4402030330	4 positions each 90°	1 LED	Yellow	Transparent	0.012	Fig. 2	-

- 1) Scope of delivery incl. flat gasket
2) Seal: caoutchouc/butadiene caoutchouc

Fig. 1



00110253

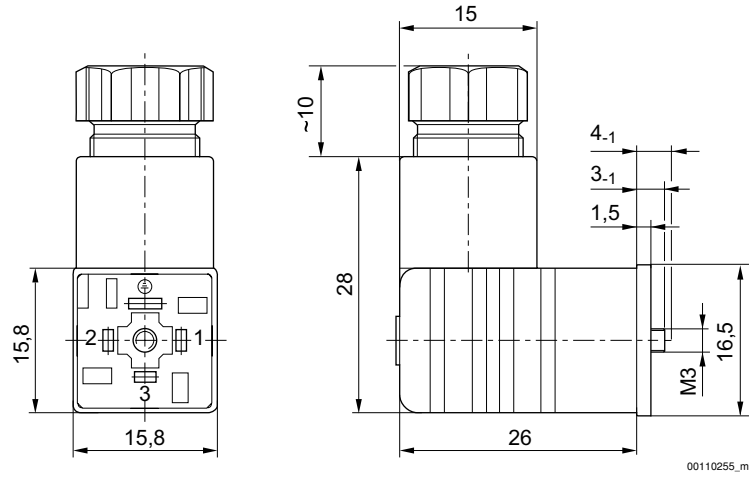
Part numbers marked in bold are available from the central warehouse in Germany, see the shopping basket for more detailed information

Pneumatics catalog, online PDF, as of 2016-11-02, ©AVENTICS S.à r.l., subject to change

Electrical connector, Series CN1

▶ 9,4 mm ▶ Industry standard

Fig. 2



AVENTICS GmbH
Ulmer Straße 4
30880 Laatzen, GERMANY
Phone +49 511 2136-0
Fax +49 511 2136-269
www.aventics.com
info@aventics.com



Find more contact information at
www.aventics.com/contact

Only use the AVENTICS products shown in industrial applications. Read the product documentation completely and carefully before using the product.

Observe the applicable regulations and laws of the respective country. When integrating the product into applications, note the system manufacturer's specifications for safe use of the product.

The data specified only serve to describe the product.

No statements concerning a certain condition or suitability for a certain application can be derived from our information.

The information given does not release the user from the obligation of own judgment and verification. It must be remembered that the products are subject to a natural process of wear and aging.

02-11-2016

An example configuration is depicted on the title page. The delivered product may thus vary from that in the illustration. Subject to change. © AVENTICS S.à r.l.
This document, as well as the data, specifications and other information set forth in it, are the exclusive property of AVENTICS S.à r.l.. It may not be reproduced or given to third parties without its consent. PDF online