

Directional valves ▶ Coils

Series CO1

Brochure



Directional valves ▶ Coils

Series CO1

	Coil, Series CO1 ▶ Form C, coil kit ▶ Coil width 15 mm	3
	Coil, Series CO1 ▶ M8, coil kit ▶ Coil width 15 mm	5
	Coil, Series CO1 ▶ form B ▶ Coil width 22 mm	7
	Coil, Series CO1 ▶ Form B, industry ▶ Coil width 22 mm	9
	Coil, Series CO1 ▶ form A ▶ Coil width 30 mm	11
	Coil, Series CO1 ▶ form A ▶ Coil width 30 mm	13
	Coil, Series CO1 ▶ with electrical connector ▶ Coil width 30 mm ▶ ATEX certified	15
	Coil, Series CO1 ▶ Cable with connector ▶ Coil width 30 mm ▶ ATEX certified	17

Directional valves ▶ Coils

Coil, Series CO1

▶ Form C, coil kit ▶ Coil width 15 mm



Connector standard	ISO 15217
electrical connections	Plug, 3-pin
Ambient temperature min./max.	-10°C / +50°C
Protection class with electrical connector/plug	IP65
Duty cycle ED	100 %

Materials:	
Housing	Polyamide

18459

Technical Remarks

- Please note that the coils are only compatible with TC series valves that were produced starting in 2011.

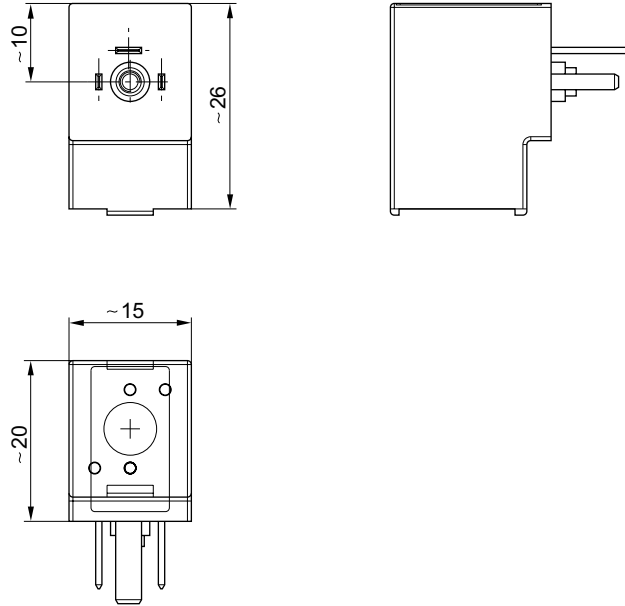
Operational voltage			Voltage tolerance			Power consumption	Switch-on power		Holding power	
DC	AC 50 Hz	AC 60 Hz	DC	AC 50 Hz	AC 60 Hz	DC	AC 50 Hz	AC 60 Hz	AC 50 Hz	AC 60 Hz
						W	VA	VA	VA	VA
-	110 V	110 V	-	-10% / +10%	-10% / +10%	-	2.2	2	1.6	1.4
-	230 V	230 V	-	-10% / +10%	-10% / +10%	-	2.2	2	1.6	1.4
24 V	-	-	-10% / +10%	-	-	2	-	-	-	-
-	24 V	24 V	-	-10% / +10%	-10% / +10%	-	2.2	2	1.6	1.4
12 V	-	-	-10% / +10%	-	-	2	-	-	-	-

	Operational voltage			Weight	Note	Part No.
	AC 50 Hz	DC	AC 60 Hz			
				[kg]		
	110 V	-	110 V	0.023	1)	R422101598
	230 V	-	230 V	0.022	1)	R422101599
	-	24 V	-	0.024	-	R422101600
	24 V	-	24 V	0.023	1)	R422101601
	-	12 V	-	0.024	-	R422101602

1) Can only be combined with TC series base valves and TC series valves with alternating voltage (AC).

Coil, Series CO1

▶ Form C, coil kit ▶ Coil width 15 mm

Dimensions

15847

Directional valves ▶ Coils

Coil, Series CO1

▶ M8, coil kit ▶ Coil width 15 mm



18458

Connector standard	DIN EN 60947-5-2
Ambient temperature min./max.	-10°C / +50°C
Protection class acc. to DIN EN 61140 electrically	Class III
Protection class with electrical connector/plug	IP65
Duty cycle ED	100 %
LED status display	Yellow
Materials:	
Housing	Polyamide

Technical Remarks

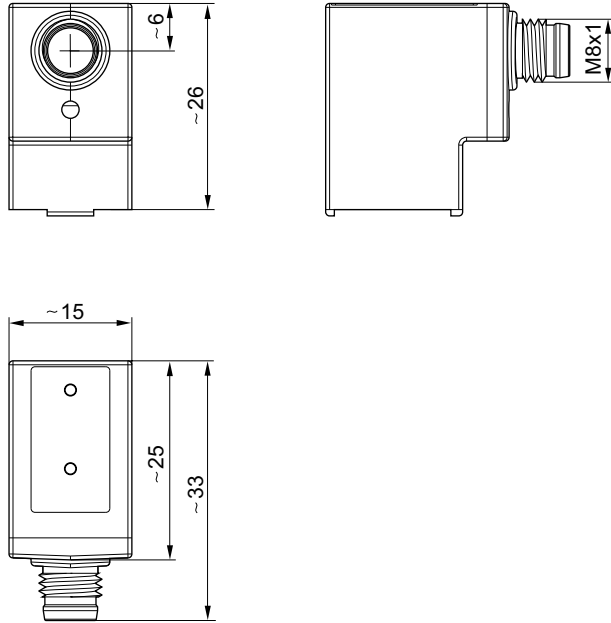
- Please note that the coils are only compatible with TC series valves that were produced starting in 2011.

Operational voltage	Voltage tolerance	Power consumption
DC	DC	DC
		W
24 V	-10% / +10%	2.2

	electrical connections	Operational voltage	Weight	Part No.
		DC		
			[kg]	
	Plug, M8, 4-pin	24 V	0.025	R422101603
	Plug, M8, 3-pin			R422101604

Coil, Series CO1

▶ M8, coil kit ▶ Coil width 15 mm

Dimensions

15848

Directional valves ▶ Coils

Coil, Series CO1

▶ form B ▶ Coil width 22 mm



00135726

Connector standard	EN 175301-803, form B
electrical connections	Plug
Ambient temperature min./max.	-- / +50°C
Protection class with electrical connector/plug	IP65
Duty cycle ED	100 %

Materials:	
Housing	Thermoplastic elastomer

Operational voltage			Voltage tolerance			Power consumption	Switch-on power		Holding power	
DC	AC 50 Hz	AC 60 Hz	DC	AC 50 Hz	AC 60 Hz	DC	AC 50 Hz	AC 60 Hz	AC 50 Hz	AC 60 Hz
						W	VA	VA	VA	VA
24 V	-	-	-10% / +10%	-10% / +10%	-10% / +10%	2.6	-	-	-	-
12 V	24 V	24 V	-10% / +10%	-10% / +10%	-10% / +10%	5.5	12	9.9	8.9	7.3
24 V	48 V	48 V	-10% / +10%	-10% / +10%	-10% / +10%	4.8	10.5	9.4	7.7	6.2
48 V	-	-	-10% / +10%	-10% / +10%	-10% / +10%	5	-	-	-	-
60 V	110 V	110 V	-10% / +10%	-10% / +10%	-10% / +10%	5.9	11	9.4	8.4	6.8
110 V	220 V	230 V	-10% / +10%	-10% / +10%	-10% / +10%	4.9	12.6	10.2	9.7	7.9

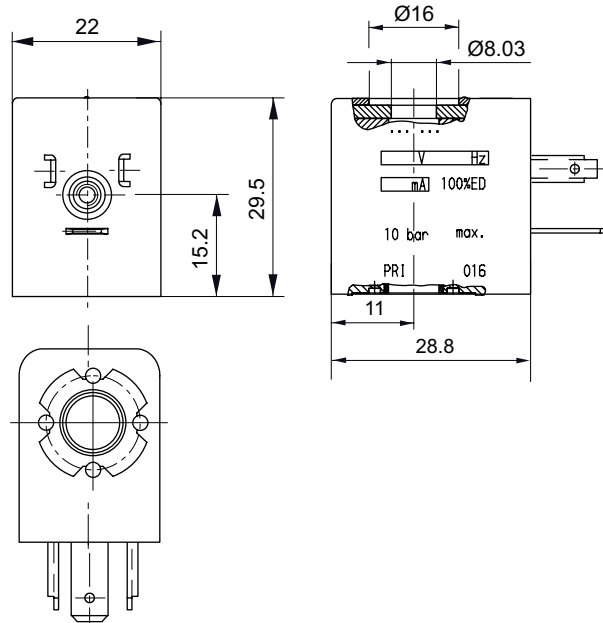
	Operational voltage			Compatibility index	Weight	Part No.
	AC 50 Hz	DC	AC 60 Hz			
					[kg]	
	-	24 V	-	13	0.07	1824210245
	24 V	12 V	24 V	14		1824210239
	48 V	24 V	48 V	14		1824210243
	-	48 V	-	14		1824210241
	110 V	60 V	110 V	14		1824210237
	220 V	110 V	230 V	14		1824210235

Part numbers marked in bold are available from the central warehouse in Germany, see the shopping basket for more detailed information

Pneumatics catalog, online PDF, as of 2016-11-15, ©AVENTICS S.à r.l., subject to change

Coil, Series CO1

▶ form B ▶ Coil width 22 mm

Dimensions


00135723

Directional valves ▶ Coils

Coil, Series CO1

▶ Form B, industry ▶ Coil width 22 mm



P581_172

Connector standard electrical connections
 Ambient temperature min./max.
 Protection class with electrical connector/plug
 Duty cycle ED

ISO 6952
 Plug, Form B, industry
 -- / +50°C
 IP65
 100 %

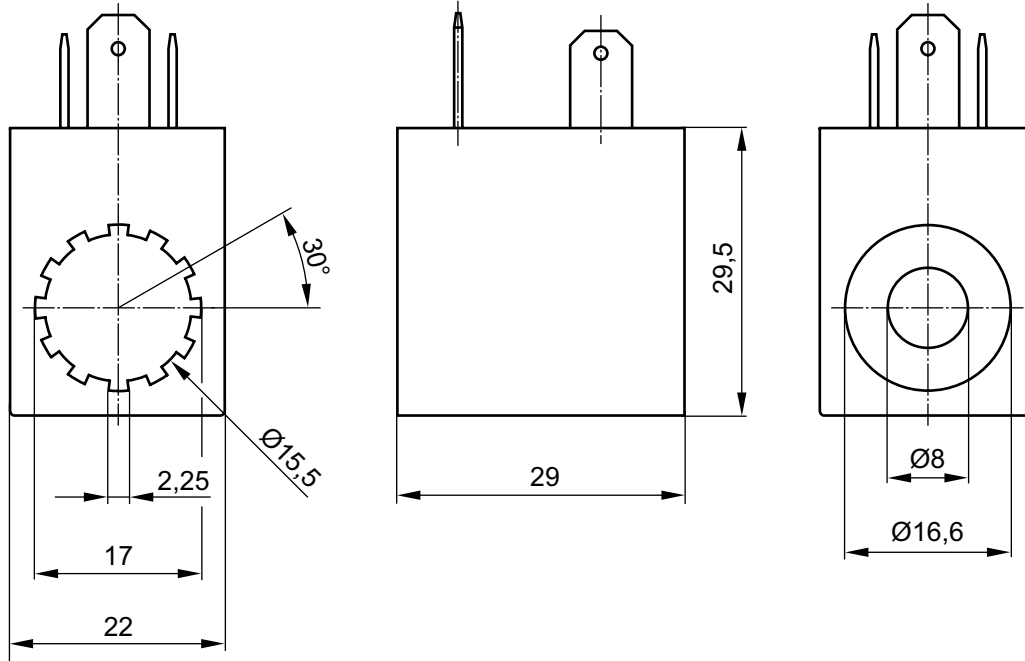
Operational voltage		Voltage tolerance		Power consumption	Switch-on power	Holding power
DC	AC 50 Hz	DC	AC 50 Hz	DC	AC 50 Hz	AC 50 Hz
				W	VA	VA
12 V	-	-	-	5	-	-
24 V	-	-10% / +10%	-	5	-	-
24 V	-	-10% / +10%	-	2	-	-
48 V	-	-	-	5	-	-
110 V	-	-10% / +10%	-	5	-	-
220 V	-	-10% / +10%	-	5	-	-
-	24 V	-	-10% / +10%	-	10	8
-	48 V	-	-10% / +10%	-	10	8
-	110 V	-	-10% / +10%	-	10	8
-	230 V	-	-10% / +10%	-	10	8

Operational voltage		Weight	Note	Part No.
AC 50 Hz	DC	[kg]		
-	12 V	0.054	-	0498317405
-	24 V	0.051	-	0498317502
-	24 V	0.051	1)	0498318800
-	48 V	0.054	-	0498317618
-	110 V	0.054	-	0498317707
-	220 V	0.054	-	0498317804
24 V	-	0.054	-	0498316905
48 V	-	0.054	-	0498317006
110 V	-	0.051	-	0498317103
230 V	-	0.054	-	0498322506

1) Low power consumption

Coil, Series CO1

▶ Form B, industry ▶ Coil width 22 mm

Dimensions

00132664

Directional valves ▶ Coils

Coil, Series CO1

▶ form A ▶ Coil width 30 mm



00135727

Connector standard electrical connections
 Ambient temperature min./max.
 Protection class with electrical connector/plug
 Duty cycle ED

EN 175301-803, form A
 Plug
 -- / +50°C
 IP65
 100 %

Materials:
 Housing

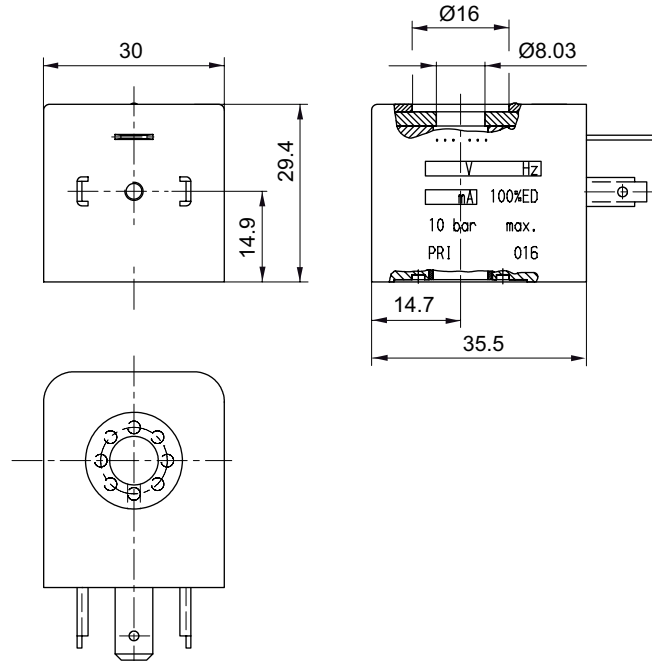
Thermoplastic elastomer

Operational voltage			Voltage tolerance			Power consumption	Switch-on power		Holding power	
DC	AC 50 Hz	AC 60 Hz	DC	AC 50 Hz	AC 60 Hz	DC	AC 50 Hz	AC 60 Hz	AC 50 Hz	AC 60 Hz
						W	VA	VA	VA	VA
12 V	-	-	-10% / +10%	-	-	2.1	-	-	-	-
24 V	-	-	-10% / +10%	-	-	2.1	-	-	-	-
-	24 V	24 V	-	-20% / +10%	-10% / +20%	-	6.9	5.6	4.2	3.2
48 V	-	-	-10% / +10%	-	-	2.2	-	-	-	-
-	110 V	110 V	-	-20% / +10%	-10% / +20%	-	6.9	5.8	4.2	3.2
-	240 V	240 V	-	-20% / +10%	-10% / +20%	-	6.9	5.8	4.2	3.2
24 V	-	-	-10% / +10%	-	-	2.7	-	-	-	-
-	24 V	24 V	-	-20% / +10%	-10% / +20%	-	-	-	5.2	3.9
-	110 V	110 V	-	-20% / +10%	-10% / +20%	-	-	-	4.8	3.6
-	230 V	230 V	-	-20% / +10%	-10% / +20%	-	-	-	5.6	4.2
12 V	24 V	24 V	-10% / +10%	-10% / +10%	-10% / +10%	6.2	11.5	9.5	7.4	5.2
24 V	-	-	-10% / +10%	-10% / +10%	-10% / +10%	4.4	-	-	-	-
-	110 V	110 V	-	-10% / +10%	-10% / +10%	-	11.5	10.8	8	6.4
110 V	220 V	230 V	-10% / +10%	-10% / +10%	-10% / +10%	6	11.5	12.6	8	9.1

	Operational voltage			Compatibility index	Weight	Part No.
	AC 50 Hz	DC	AC 60 Hz			
	-	12 V	-	13	0.096	5420507012
	-	24 V	-	13	0.096	5420507022
	24 V	-	24 V	13	0.096	5428457022
	-	48 V	-	13	0.096	5420507032
	110 V	-	110 V	13	0.096	5428457072
	240 V	-	240 V	13	0.096	5428457112
	-	24 V	-	14	0.096	5420897022
	24 V	-	24 V	14	0.096	5428117022
	110 V	-	110 V	14	0.096	5428117072
	230 V	-	230 V	14	0.096	5428117082
	24 V	12 V	24 V	15	0.11	1824210222
	-	24 V	-	15	0.11	1824210223
	110 V	-	110 V	15	0.11	1824210221
	220 V	110 V	230 V	15	0.11	1824210220

Coil, Series CO1

▶ form A ▶ Coil width 30 mm

Dimensions


00135722

Directional valves ▶ Coils

Coil, Series CO1

▶ form A ▶ Coil width 30 mm



23322

Connector standard electrical connections
 Ambient temperature min./max.
 Protection class with electrical connector/plug
 Duty cycle ED

EN 175301-803, form A
 Plug
 -20°C / +50°C
 IP65
 100 %

Materials:
 Housing

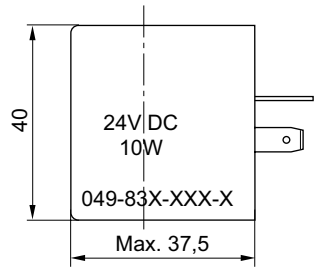
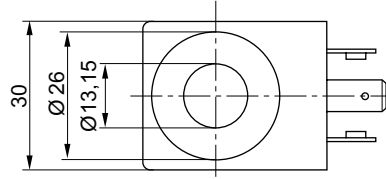
Thermoplastic elastomer

Operational voltage			Voltage tolerance			Power consumption	Switch-on power		Holding power	
DC	AC 50 Hz	AC 60 Hz	DC	AC 50 Hz	AC 60 Hz	DC	AC 50 Hz	AC 60 Hz	AC 50 Hz	AC 60 Hz
						W	VA	VA	VA	VA
12 V	-	-	-10% / +10%	-	-	10	-	-	-	-
24 V	-	-	-10% / +10%	-	-	10	-	-	-	-
48 V	-	-	-10% / +10%	-	-	10	-	-	-	-
110 V	-	-	-10% / +10%	-	-	10	-	-	-	-
220 V	-	-	-10% / +10%	-	-	10	-	-	-	-
-	24 V	24 V	-	-10% / +10%	-10% / +10%	-	30	25	17	14.5
-	110 V	110 V	-	-10% / +10%	-10% / +10%	-	30	25	17	14.5
-	230 V	230 V	-	-10% / +10%	-10% / +10%	-	30	25	17	14.5

	Operational voltage			Part No.
	AC 50 Hz	DC	AC 60 Hz	
	-	12 V	-	0498320503
	-	24 V	-	0498319718
	-	48 V	-	0498320406
	-	110 V	-	0498320309
	-	220 V	-	0498320201
	24 V	-	24 V	0498319807
	110 V	-	110 V	0498319904
	230 V	-	230 V	0498322409

Coil, Series CO1

▶ form A ▶ Coil width 30 mm

Dimensions

23250

Directional valves ▶ Coils

Coil, Series CO1

▶ with electrical connector ▶ Coil width 30 mm ▶ ATEX certified



ATEX

Ambient temperature min./max.

Protection class

Duty cycle ED

Compatibility index CI

II 3G Ex nAc IIB T4

II 3D Ex tc IIIB T125°C IP65X

-10°C / +50°C

IP65

100 %

13

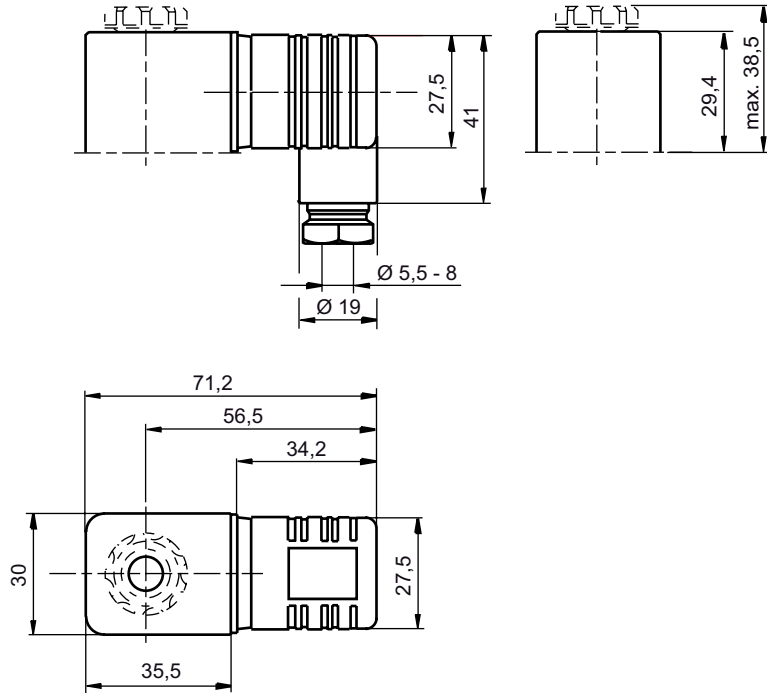
00138109

Operational voltage			Voltage tolerance			Power consumption	Switch-on power	Holding power
DC	AC 50 Hz	AC 60 Hz	DC	AC 50 Hz	AC 60 Hz	DC	AC 50 Hz	AC 50 Hz
						W	VA	VA
-	24 V	24 V	-	-20% / +10%	-10% / +20%	-	4	4
-	110 V	110 V	-	-20% / +10%	-10% / +20%	-	4	4
-	230 V	230 V	-	-20% / +10%	-10% / +20%	-	4.1	4.1
24 V	-	-	-10% / +10%	-	-	2.1	-	-

	Operational voltage			Weight	Part No.
	AC 50 Hz	DC	AC 60 Hz		
				[kg]	
	24 V	-	24 V	0.134	R412000145
	110 V	-	110 V	0.122	R412000146
	230 V	-	230 V	0.137	R412000147
	-	24 V	-	0.14	R412000144

Coil, Series CO1

▶ with electrical connector ▶ Coil width 30 mm ▶ ATEX certified

Dimensions


00129941

Directional valves ▶ Coils

Coil, Series CO1

▶ Cable with connector ▶ Coil width 30 mm ▶ ATEX certified



00115846

ATEX

Ambient temperature min./max.

Protection class

Duty cycle ED

Compatibility index CI

II 2G Ex mb IIC T4 Gb

II 2D Ex mb tb IIIC T 130°C Db IP65

-20°C / +50°C

IP65

100 %

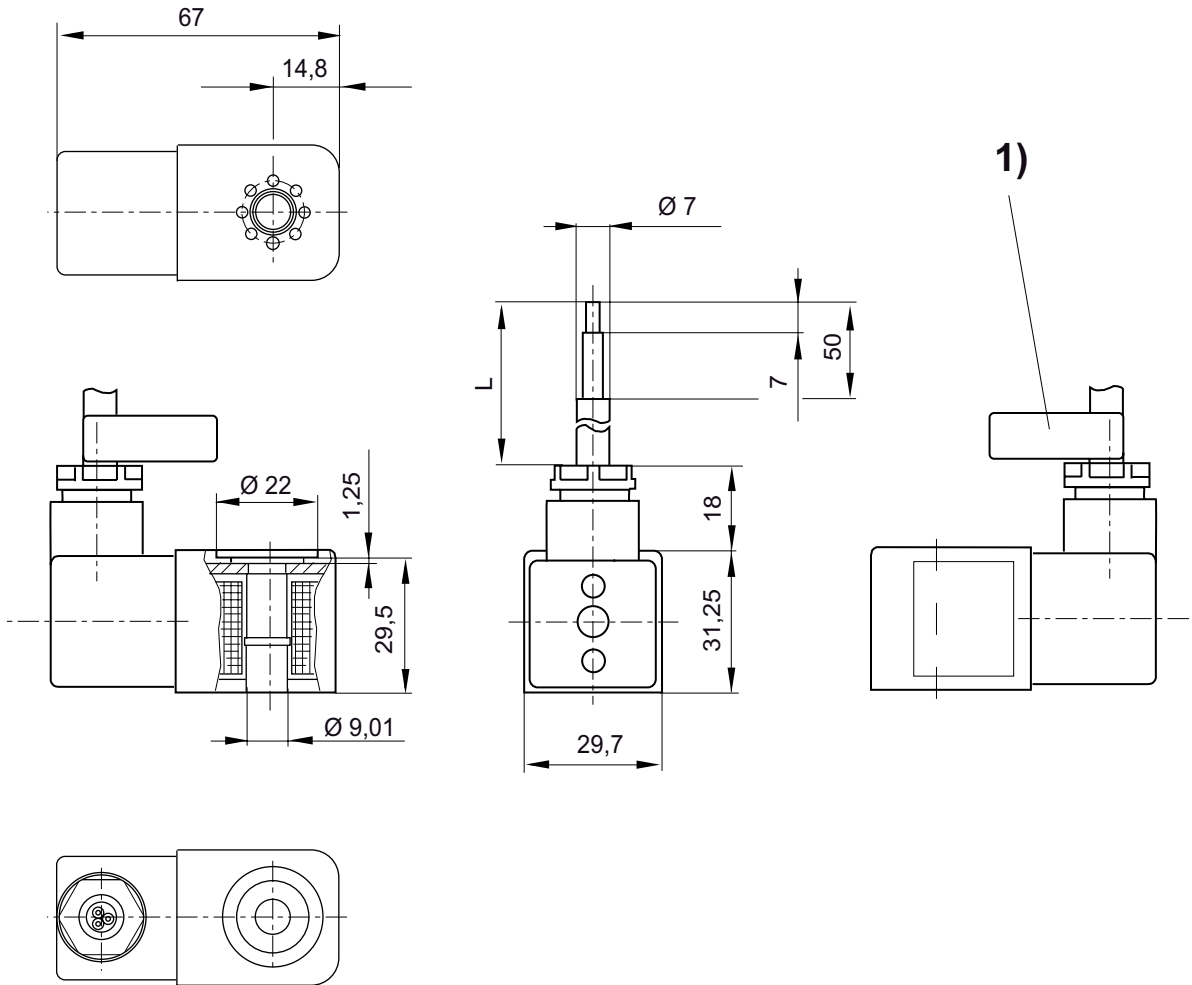
14

Operational voltage			Voltage tolerance		Power consumption	Switch-on power	Holding power
DC	AC 50 Hz	AC 60 Hz	DC	AC 50 Hz	DC	AC 50 Hz	AC 50 Hz
					W	VA	VA
-	230 V	230 V	-	-10% / +10%	-	3.1	3
-	110 V	110 V	-	-10% / +10%	-	3	2.9
-	24 V	24 V	-	-10% / +10%	-	3	2.9
24 V	-	-	-10% / +10%	-	3.25	-	-

	Operational voltage			Cable length L	Weight	Part No.
	AC 50 Hz	DC	AC 60 Hz			
				[m]	[kg]	
	230 V	-	230 V	3	0.38	1827414297
	230 V	-	230 V	10	0.91	1827414298
	110 V	-	110 V	3	0.38	1827414299
	110 V	-	110 V	10	0.38	1827414300
	24 V	-	24 V	3	0.38	1827414301
	24 V	-	24 V	10	0.91	1827414302
	-	24 V	-	3	0.38	1827414303
	-	24 V	-	10	0.91	1827414304

Coil, Series CO1

▶ Cable with connector ▶ Coil width 30 mm ▶ ATEX certified

Dimensions


L = cable length

1) Cable ID band with serial number

00129906

AVENTICS GmbH
Ulmer Straße 4
30880 Laatzen, GERMANY
Phone +49 511 2136-0
Fax +49 511 2136-269
www.aventics.com
info@aventics.com



Find more contact information at
www.aventics.com/contact

Only use the AVENTICS products shown in industrial applications. Read the product documentation completely and carefully before using the product.

Observe the applicable regulations and laws of the respective country. When integrating the product into applications, note the system manufacturer's specifications for safe use of the product.

The data specified only serve to describe the product.

No statements concerning a certain condition or suitability for a certain application can be derived from our information.

The information given does not release the user from the obligation of own judgment and verification. It must be remembered that the products are subject to a natural process of wear and aging.

15-11-2016

An example configuration is depicted on the title page. The delivered product may thus vary from that in the illustration. Subject to change. © AVENTICS S.à r.l.
This document, as well as the data, specifications and other information set forth in it, are the exclusive property of AVENTICS S.à r.l.. It may not be reproduced or given to third parties without its consent. PDF online