

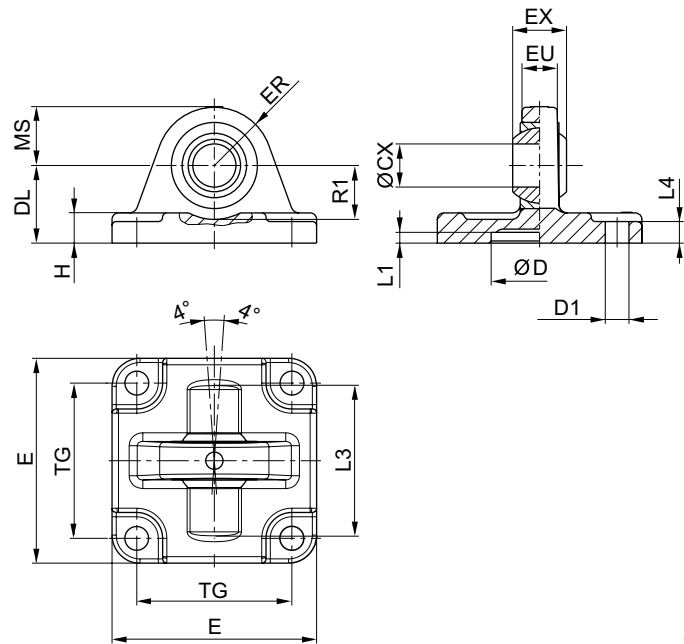
Cylinder Accessories ▶ Cylinder mountings; series CM1

Rear eye, Series MP6

▶ With ball joint and foot



24548



00126391

Scope of delivery: clevis incl. mounting screws

Part No.	Piston Ø	ØCX H7	ØD H11	ØD1 H13	DL ±0,2	E	EX -0,1	ER	EU	H	L1 1)	L3
3663602000	25	10 H9	20	5.5	20	40	9	14	8	6	0,5	36
1827001619	32	10	30	6.6	22	47	14	15	10.5	9	4.5	36
2798060320	32	10	30	6,7	22	46	14	17	12,5	6.5	4.5	32,5
3663603000	32	10 J8	25	5.5	22	46	9	15	8	6	0,5	42
3663604000	40	12	30	6.6	28	55	12	17	9,5	8	0,5	48
1827001620	40	12	35	6.6	25	53	16	18	12	9	4.5	42
2798060400	40	12	35	6,7	25	55	16	20	14	8	4.5	38
3663605000	50	12	40	6.6	28	62	12	17	9,5	9	0,5	55
2798060500	50	12	40	9	25	62	16	22	14	9	5	46,5
1827001621	50	16	40	9	27	65	21	20	15	10.5	4.5	48
5220163442	52.5	10	-	7.5	29	45	14	15	10.5	8	-	-
1827020087	63	16	45	9	32	75	21	23	15	10.5	4.5	55
2798060630	63	16	45	9	32	80	21	25	17	11	5	56,5
3663606000	63	16	55	9	36	80	16	25	12,5	11	0,5	70
5220363442	75	12	-	10	26	65	16	18	12	10	-	-
2798060800	80	16	45	11	36	94	21	30	17	12	5	72
3663608000	80	16	70	9	38	94	16	28	12,5	12	0,5	80
1827001623	80	20	45	11	36	95	25	27	18	14	4.5	70
5220463442	85, 95	16	-	10	30	75	21	22	15	10	-	-
1827001624	100	20	55	11	41	115	25	30	18	15	4.5	80
2798061000	100	20	55	11	41	114	25	32	20	15	5	89
3663610000	100	20	90	11	43	114	20	35	16	15	0,5	100
5220563442	115	16	-	12	37.5	95	21	25	15	12	-	-
1827001625	125	30	60	14	50	140	37	40	25	16	7	100
1827001626	160	35	65	18	55	176	43	44	30	17	7	130
1827001627	200	35	75	18	60	216	43	47	30	19.5	7	130
1827001628	250	40	90	22	70	275	49	53	35	22	11	-
5239013452	320	50	110	26	80	340	60	63	45	27	11	180

Part numbers marked in bold are available from the central warehouse in Germany, see the shopping basket for more detailed information

Pneumatics catalog, online PDF, as of 2017-01-03, ©AVENTICS S.à r.l., subject to change

Rear eye, Series MP6

▶ With ball joint and foot

Part No.	L4	MS -0,5	R1 1)	TG	Standardiza- tion	Weight [kg]	Note				
3663602000	6	14	15	27	-	0.1	2)				
1827001619	5.5	15	12	32,5 ±0,2	ISO 15552	0.1	3)				
2798060320	5,5	17	16,5	32,5	-	0.1	2) 5)				
3663603000	6	15	16	32	-	0.1	2)				
3663604000	8	17	16	40	-	0.1	2)				
1827001620	5.5	18	15	38 ±0,2	ISO 15552	0.1	3)				
2798060400	5,5	20	19,5	38	-	0.1	2) 5)				
3663605000	9	17	18	46	-	0.2	2)				
2798060500	6,5	24	18,5	46,5	-	0.2	2) 5)				
1827001621	6.5	21	19	46,5 ±0,2	ISO 15552	0.2	3)				
5220163442	-	-	-	33	-	0.2	2)				
1827020087	6.5	23	21	56,5 ±0,2	ISO 15552	0.3	3)				
2798060630	6,5	25	25,5	56,5	-	0.4	2) 5)				
3663606000	11	25	21	59	-	0.3	2)				
5220363442	-	-	-	49	-	0.4	2)				
2798060800	10	30	26	72	-	0.5	2) 5)				
3663608000	12	28	21	73	-	0.5	2)				
1827001623	10	27	24	72 ±0,2	ISO 15552	0.6	3)				
5220463442	-	-	-	59	-	0.6	2)				
1827001624	10	30	25	89 ±0,2	ISO 15552	0.8	3)				
2798061000	10	32	31	89	-	0.9	2) 5)				
3663610000	15	35	28	90	-	0.8	2)				
5220563442	-	-	-	75	-	1.1	2)				
1827001625	10	40	33	110 ±0,3	ISO 15552	1.4	3)				
1827001626	10	44	39	140 ±0,3	ISO 15552	5.6	4) 6)				
1827001627	11	47	41	175 ±0,3	ISO 15552	8.5	4) 6)				
1827001628	11	53	45	220 ±0,3	ISO 15552	14.5	4) 6)				
5239013452	15	63	55	270 ±0,3	ISO 15552	24.6	4) 6)				

- 1) Min.
 2) Material: Aluminum
 3) Material: Aluminum (forged)
 4) Material: Nodular graphite iron
 5) Surface: anodized
 6) Surface: galvanized