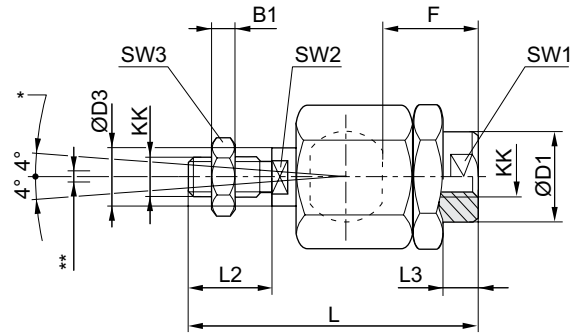
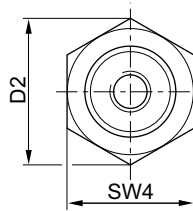


Flexible spherical coupling, Series PM5



00105169



D300_029

* Angle joint
 ** Radial joint from 0,5 - 2 mm
 Axial play set to 0.05 to 0.2 mm

Part No.	KK	B1	Ø D1	D2	Ø D3	F	L ±2	L2	L3 ±1	SW1	SW2	SW3
1826409008	M4	2.2	12	13.5	4	13	33	8	5.6	12	3.2	7
R412007860	M5	2.5	8.5	14.8	6	12	38.5	13.5	4.3	7	5	8
1826409000	M6	3.2	8.5	15	6	11.5	39	12	3.5	7	5	10
1826409001	M8	4	12.5	20	8	14.5	55	15	5	10	6	13
1826409002	M10x1,25	6	21.5	34	14	23	73	20	7.5	19	12	17
1826409003	M12x1,25	7	21.5	34	14	28	77	24	13	19	12	19
1826409004	M16x1,5	8	33.5	47	22	32	108	32	9	30	19	24
1826409005	M20x1,5	10	33.5	47	22	42	122	40	19	30	19	30
1826409006	M27x2	13.5	62	62	28	48	147	54	14	32	24	41
1826409007	M36x2	18	80	80	38	86	241	72	18.2	50	36	55
R412007729	M42x2	21	64	98	42	96	271	82	20	60	36	65

Part No.	SW4	Material	Surface	Weight
				[kg]
1826409008	12	Steel	galvanized	0.02
R412007860	13	Steel	galvanized	0.02
1826409000	13	Steel	galvanized	0.02
1826409001	17	Steel	galvanized	0.05
1826409002	30	Steel	galvanized	0.21
1826409003	30	Steel	galvanized	0.21
1826409004	41	Steel	galvanized	0.65
1826409005	41	Steel	galvanized	0.68
1826409006	55	Steel	galvanized	1.7
1826409007	75	Steel	galvanized	5.4
R412007729	85	Steel	galvanized	8.76